

Assignment 7

CAD Mechanical – Part 1

Trim & Zoom Functions

Objectives

In this assignment you will apply the **trim**, **real time zoom**, **pan** commands, as well as skills learned in earlier assignments.

Getting Started

1. When AutoCAD's menu appears, scroll down and select the **Otto 2016.dwt** template file as you have on the previous assignments.
2. Complete the title block and by typing the information into the block. The drawing will be drawn **full scale**.
3. Insert the drawing title and drawing number illustrated below:

Tic Tac Toe Board	C12
-------------------	-----
4. Remember to turn the **snap** back **on** while drawing lines and dimensioning the drawing.

Note: If a pop ask for you to make a selection, choose the one that is recommended.

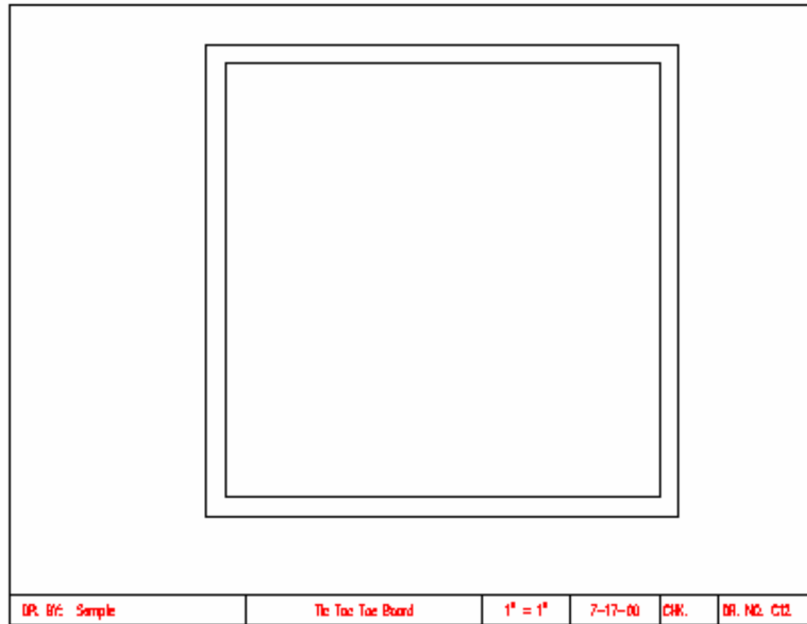
Offset Command

1. After the border appears and you have **changed** to the **object layer**, begin drawing the drawing by constructing a **6" square** using **Polyline** command.

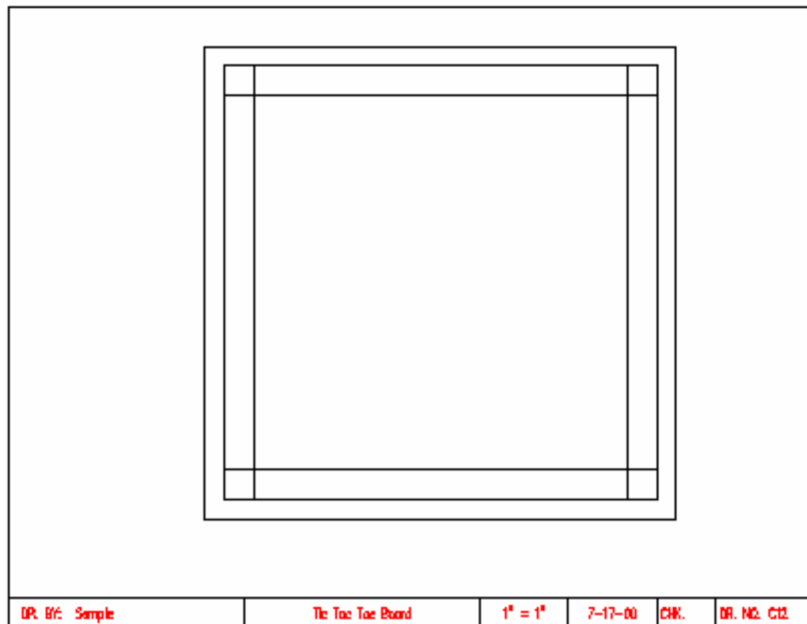
Use the **Offset command** to produce **another polyline 1/4" inside the first one**.

Use the **Explode** command to explode the **inner polyline** into four separate lines.

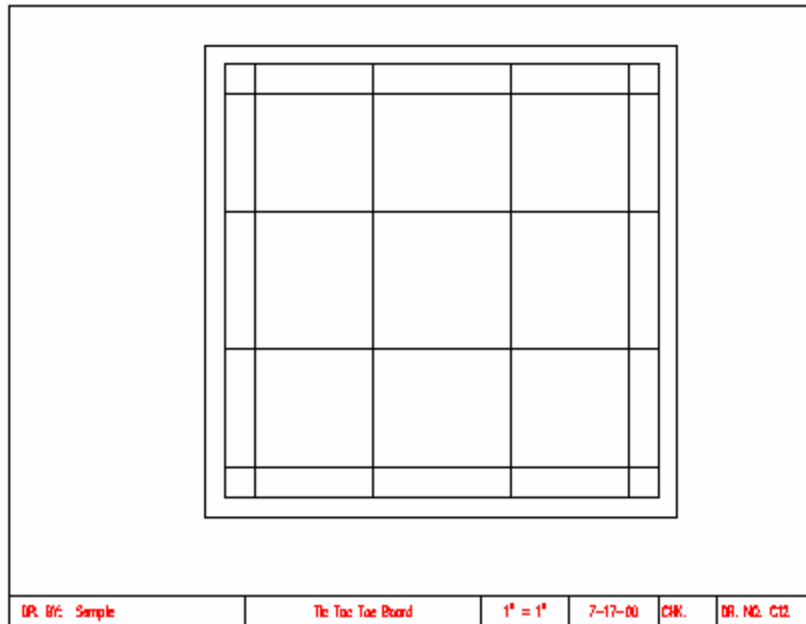
The drawing should now appear as below:



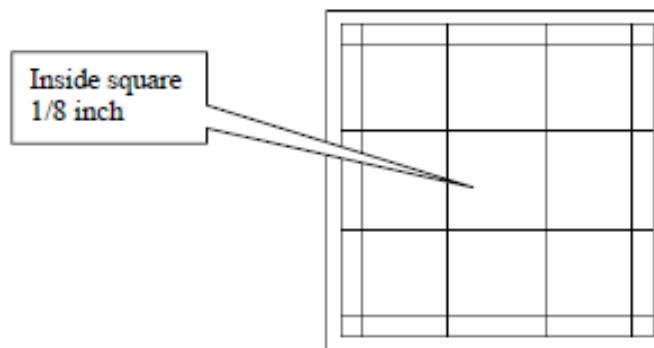
2. Again use the **Offset** command, and **offset** the **four** inside **lines 3/8"**.



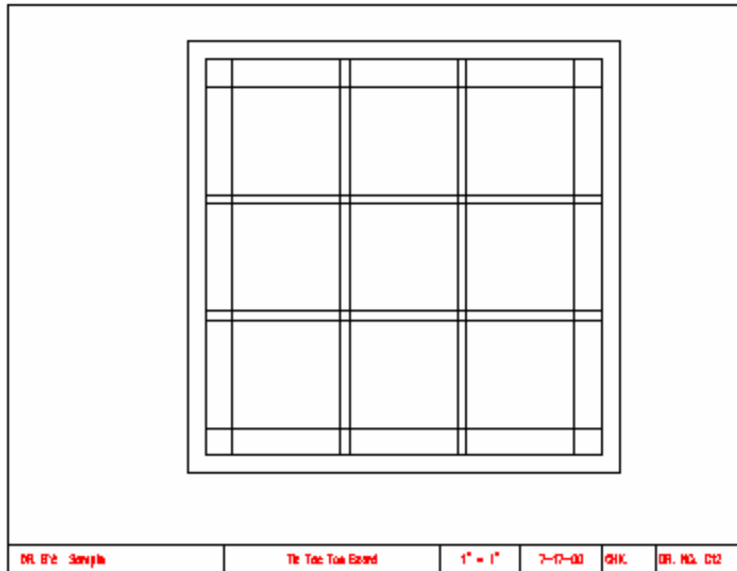
3. Continue the **Offset** command and offset the four **inside** lines a distance of **1-1/2"**.



4. Offset the **inside square** to the **inside** a distance of **1/8"**.

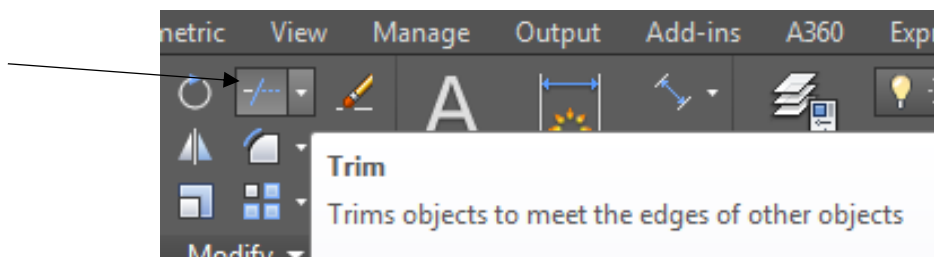


- The final offset should appear as illustrated.

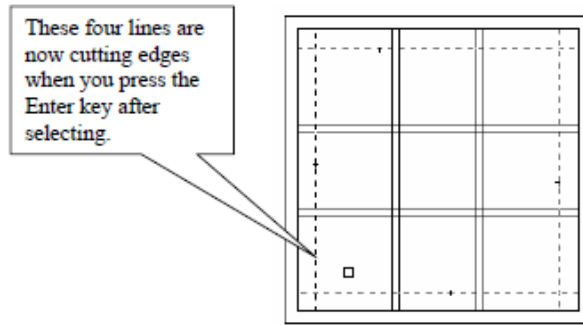


Trim Command

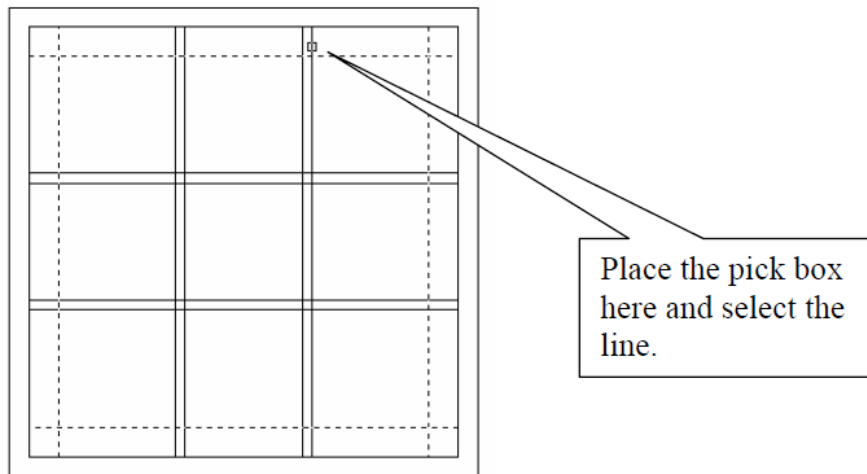
- Select the Trim command from the Home Tab Ribbon bar options; (Make sure Snap is Off)



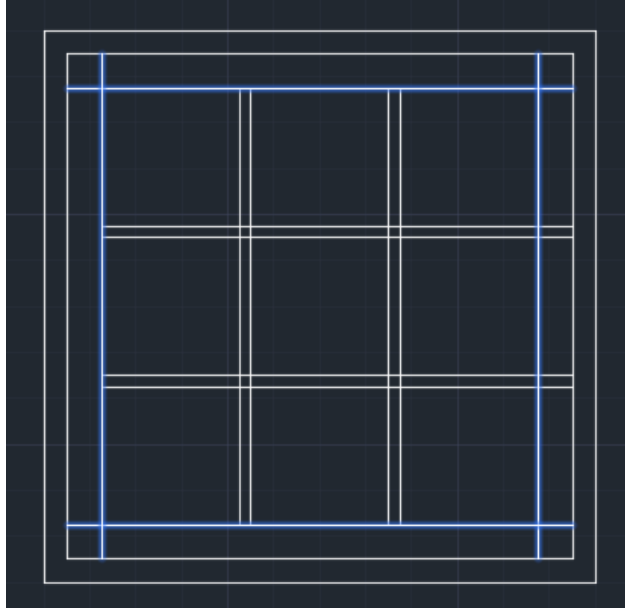
- Select the **four lines shown below** and press the **Enter** key. The **selected lines** are referred to as the **cutting edges**.



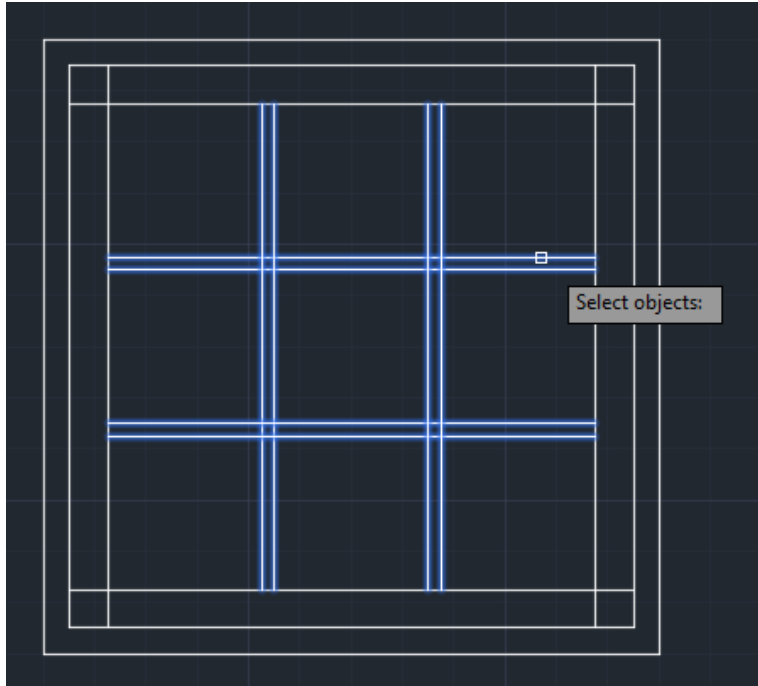
3. The command prompt will alert you to **select the object to trim**. Place the pick box on the line above the cutting edge as shown.



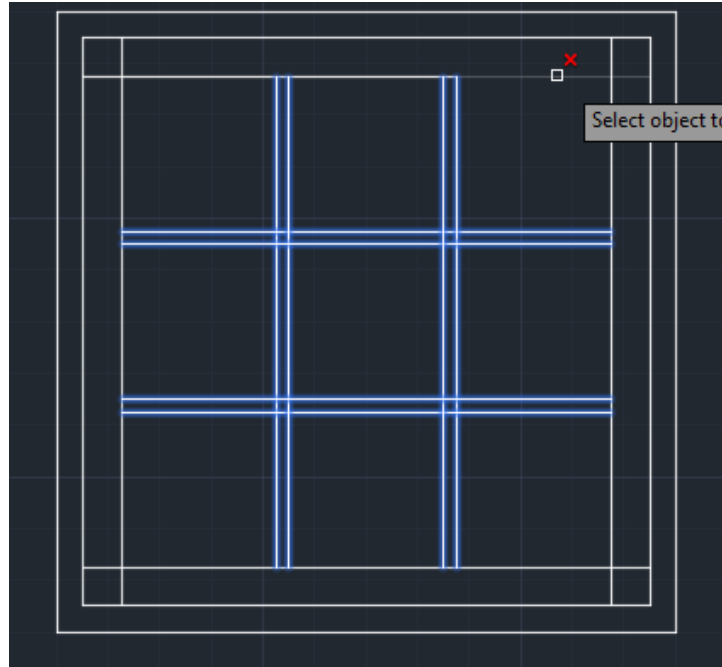
4. When you **pick the line at the location** above the **line is trimmed**. **Trim the next line to the left of the one just trimmed**. Each time you select a line notice that the line is trimmed and a **blip** remains on the screen. The **blips** have been left on the illustration to indicate **where to continue trimming lines**. Continue until these lines are trimmed.



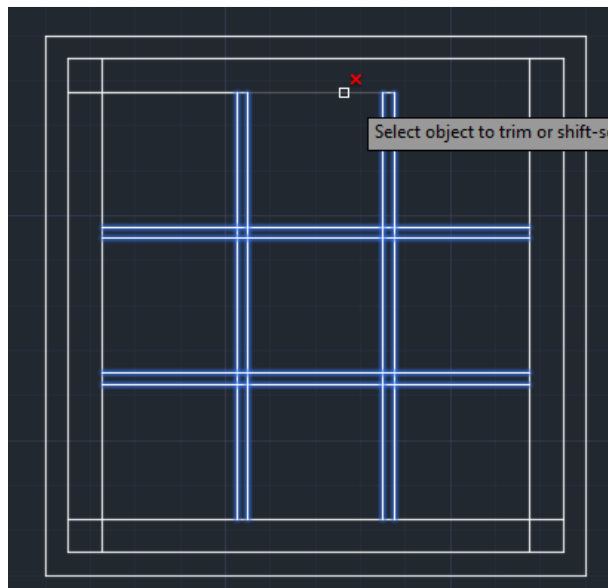
5. **Press the Enter key after trimming all of the above lines.** Press Enter again to repeat the Trim command.
6. **Repeat the Trim command, but this time select eight most inner lines** as the cutting edges as shown below:



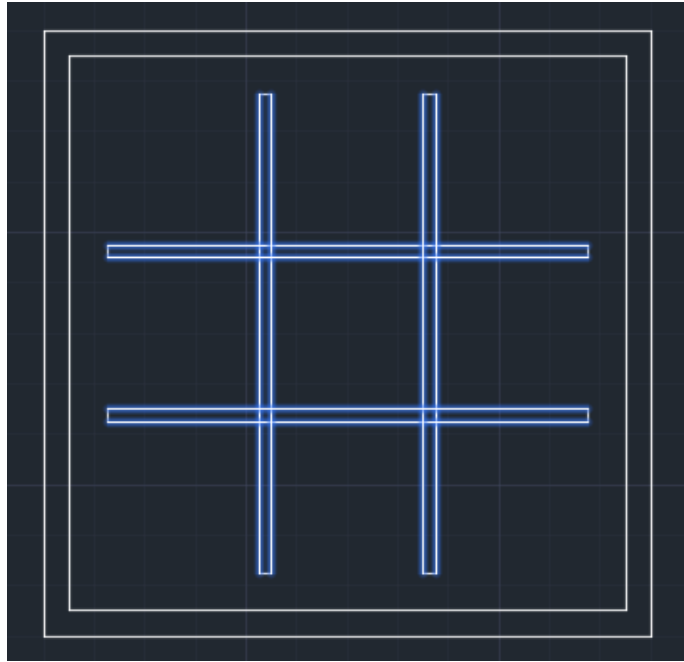
7. Press the **Enter** key to **confirm** the **selection of** the **cutting edges**. Pick the **third horizontal** line from the top right of the cutting edge as **shown below**:
8. **Pick** the **line** to **cut** it then move the **pick box** **between** the **two-middle cutting edges**.



9. Pick the **middle line** and **move the pick box to the next location** to the **left** of the line you just trimmed.



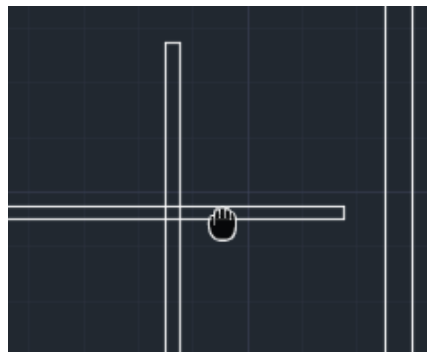
10. Continue picking the other segments on the **third inner most line** until the **drawing appears as shown below**:



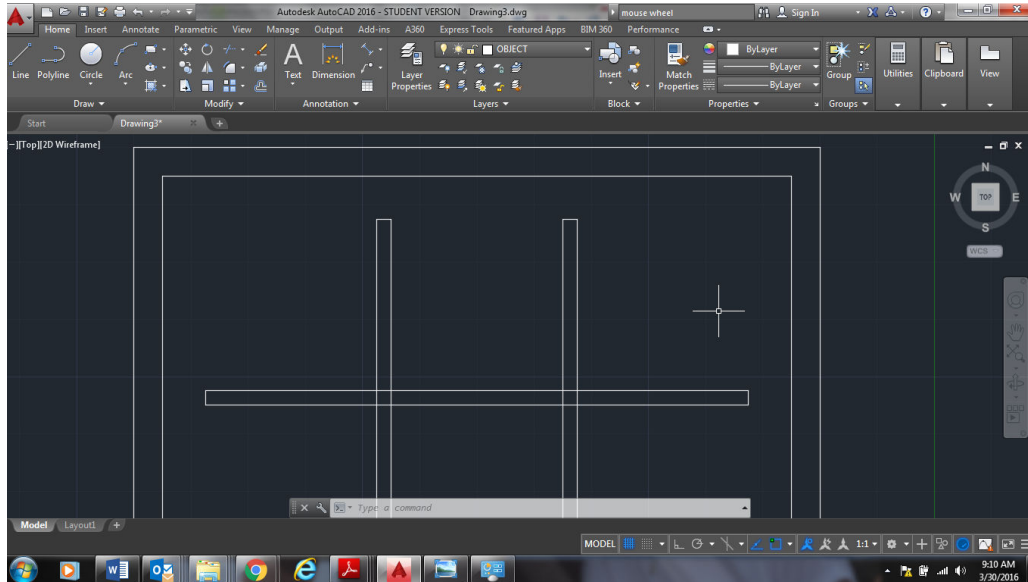
11. When you have trimmed all of the lines, press the **Enter key**.

Zooming in to a Specific Location

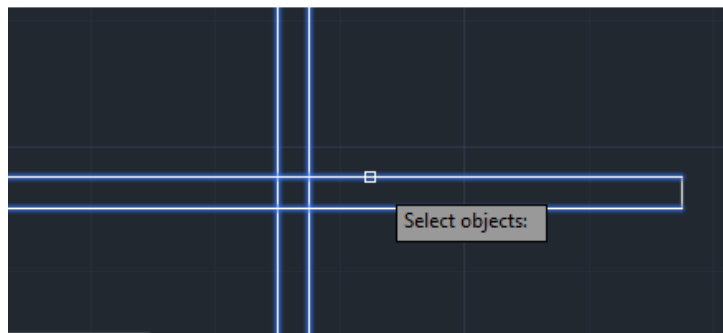
1. Hoover your mouse over one of the intersections and press the wheel. The cursor will change to a hand.



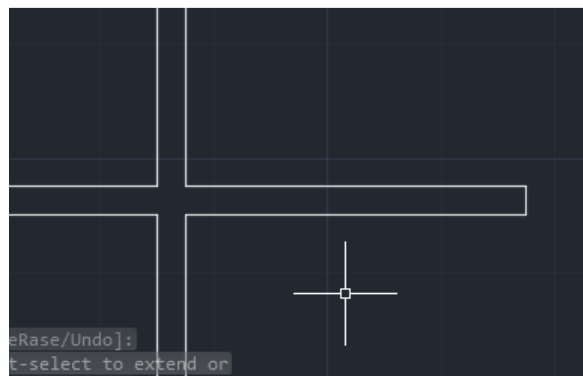
2. With cursor in the shape of a hand, locate the intersection in the center of the drawing area.



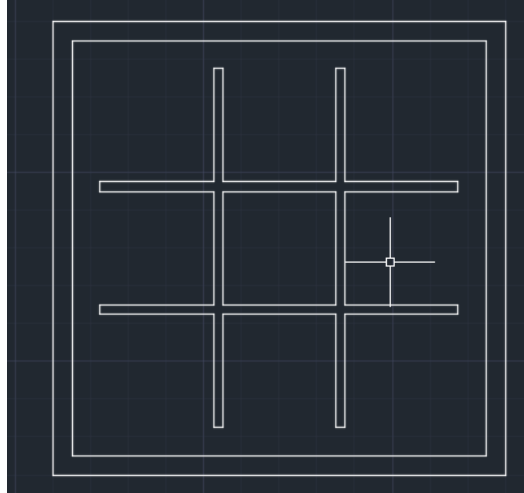
3. Select the trim tool and select the following lines:



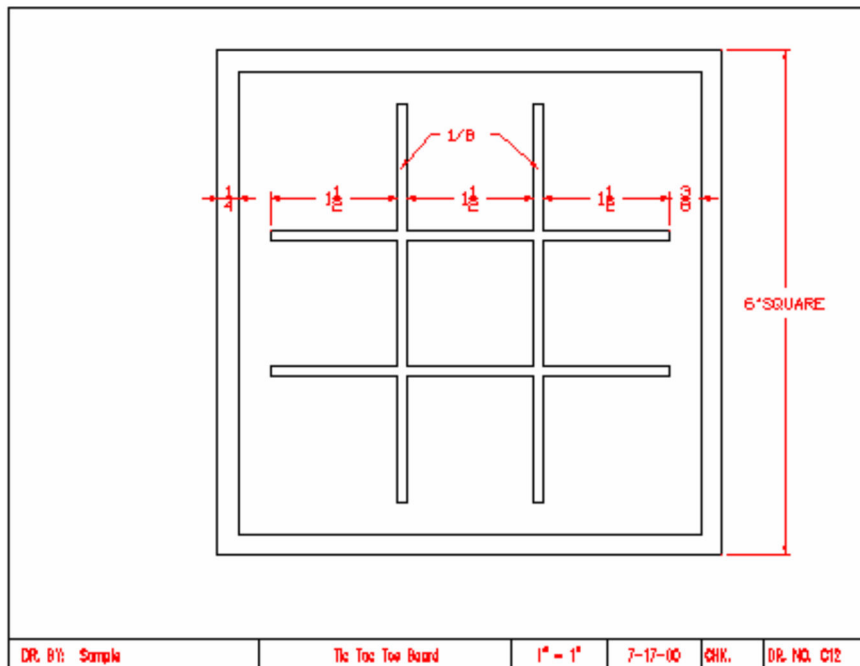
4. Select the **Trim** command again and pick the **innermost lines** with the pick box. Press the **Enter** key one time **after selecting the cutting edges**.



5. Select the lines as you did in the first section and continue selecting between the cutting edges until all of the lines are trimmed as illustrated:



6. Complete the Tic Toe Board by **constructing the necessary dimensions**. Remember to turn the snap back on by clicking the snap button again on the Status bar.



Terms to Know

Trim

Zoom

Snap