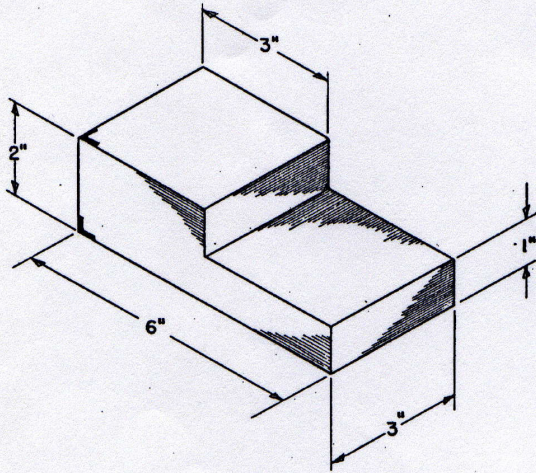
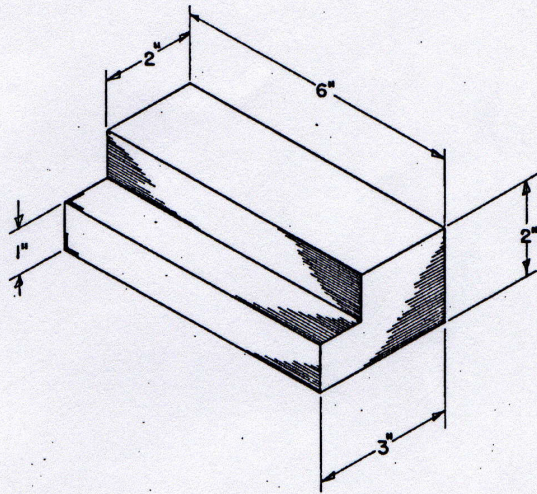


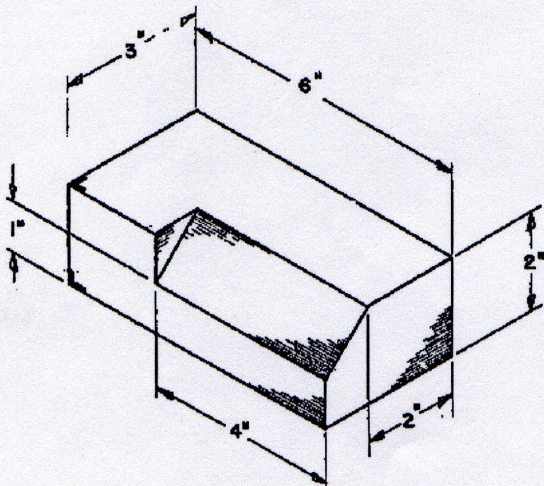
Inventor Drafting Problems Part 1



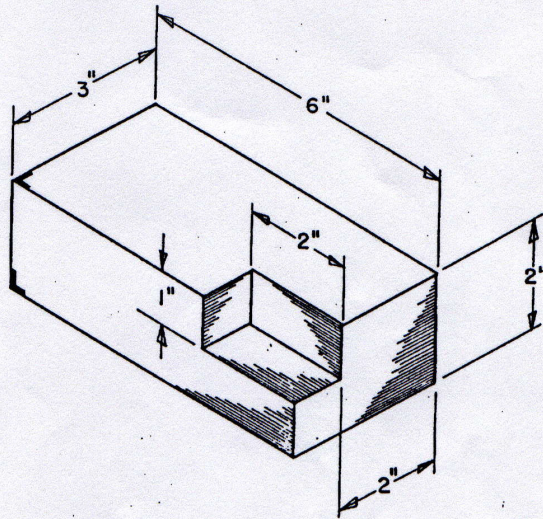
End Lap Member - IN-1



Rabetted Block - IN-2

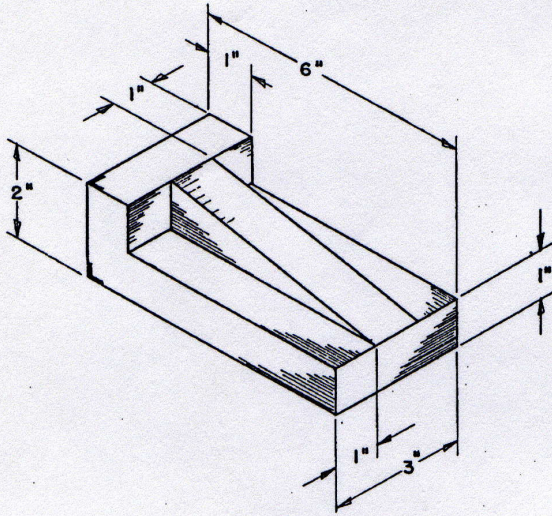


Chamfered Block - IN-3

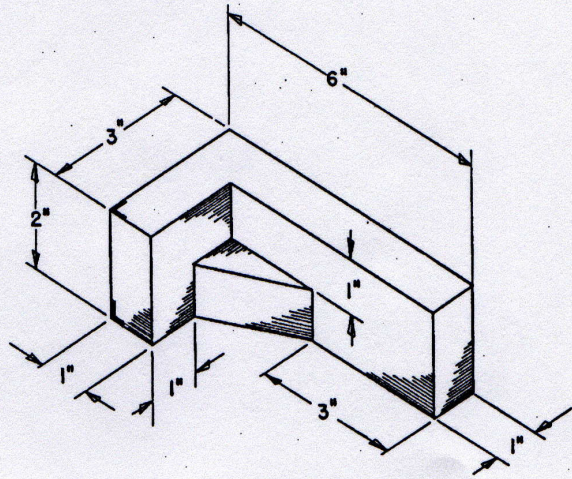


Notched Block - IN-4

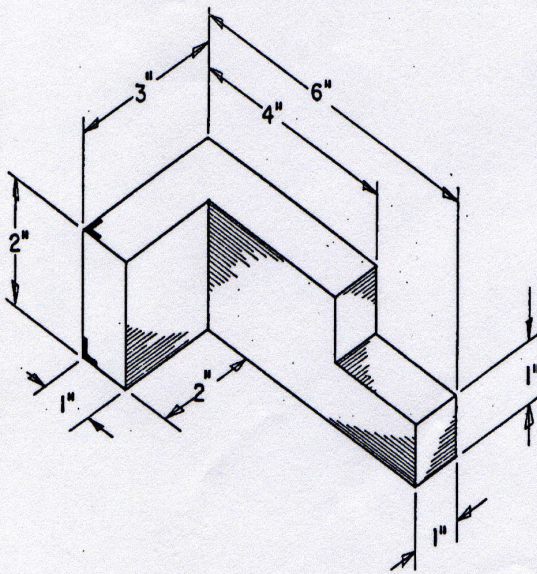
Inventor Drafting Problems Part 1



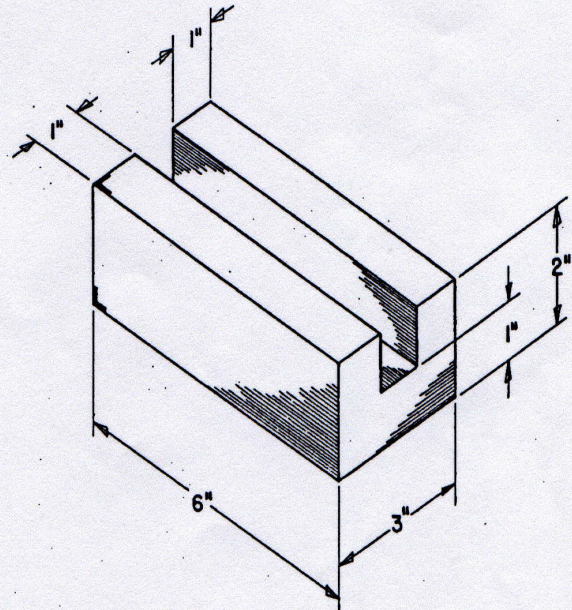
Angle Block - IN-5



Bracket - IN-6

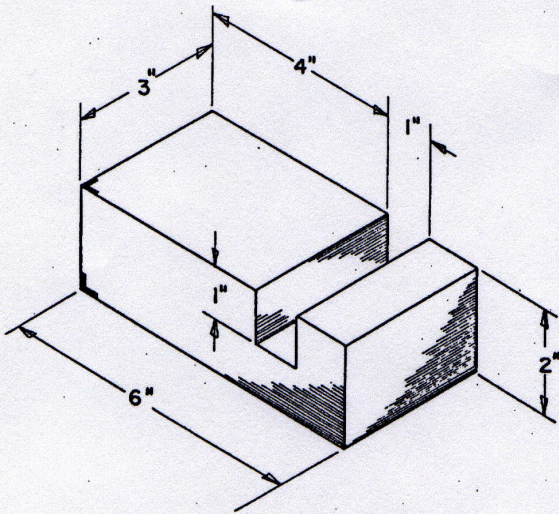


Angle Lap Block - IN-7

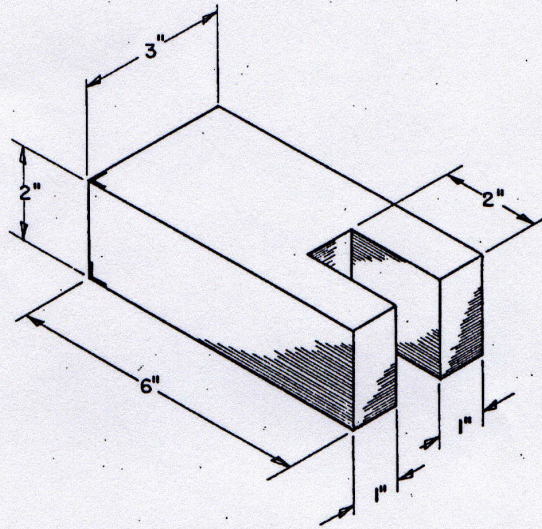


Grooved Block - IN-8

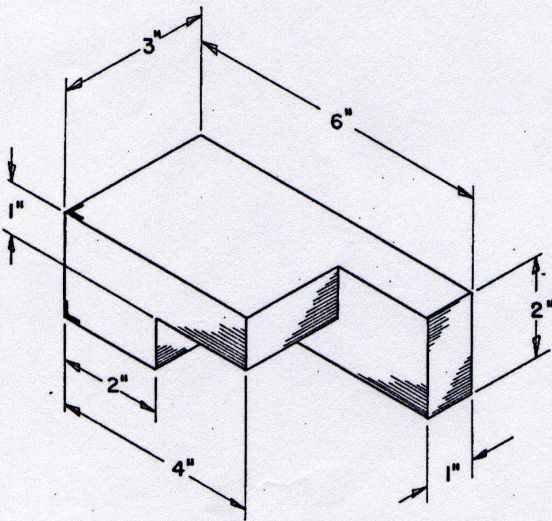
Inventor Drafting Problems Part 1



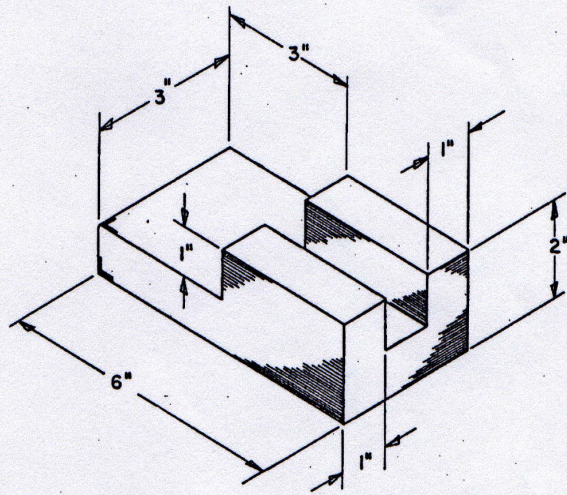
Dado Block - IN-9



Open Mortise Member - IN-10

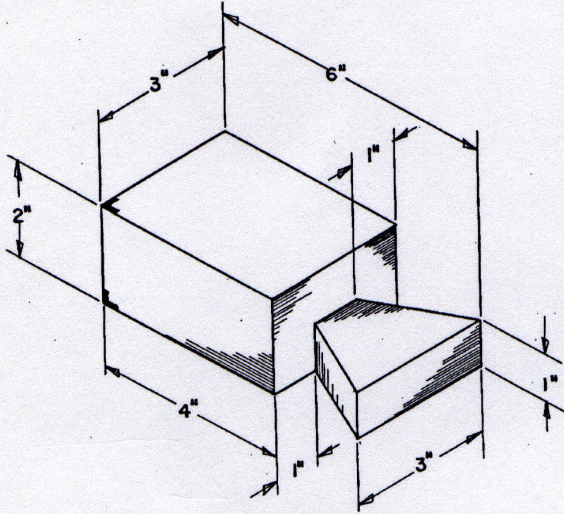


Notched Shelf - IN-11

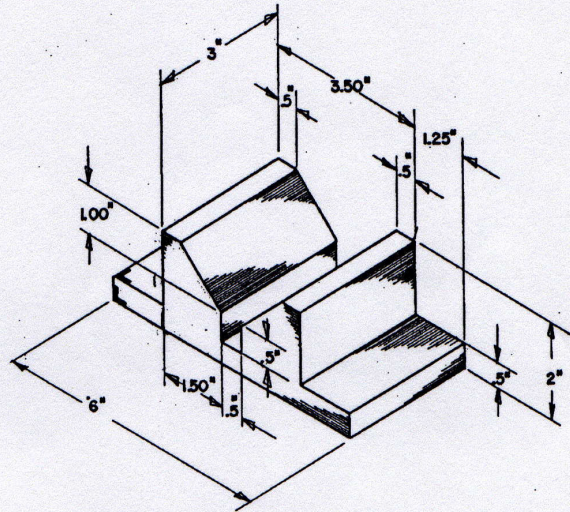


Grooved Support Block - IN-12

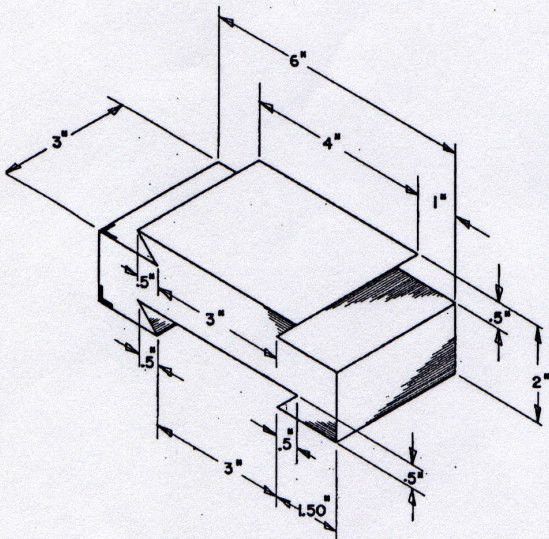
Inventor Drafting Problems Part 1



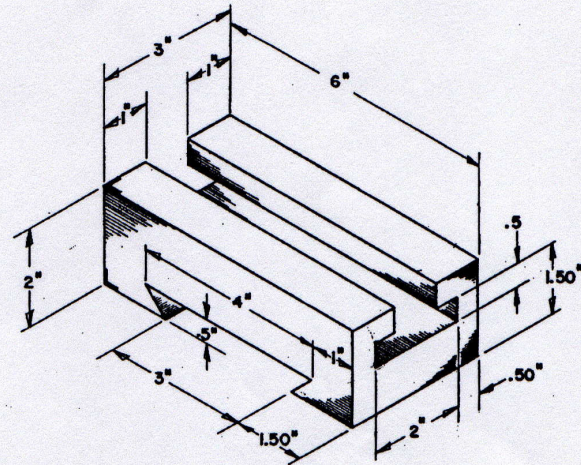
Dovetail Member - IN-13



Machinist Block - IN-14



Dovetail Slide - IN-15



"T" Slot Slide - IN-16

Inventor Drafting Problems Part 1

