

DR. BY: Sample

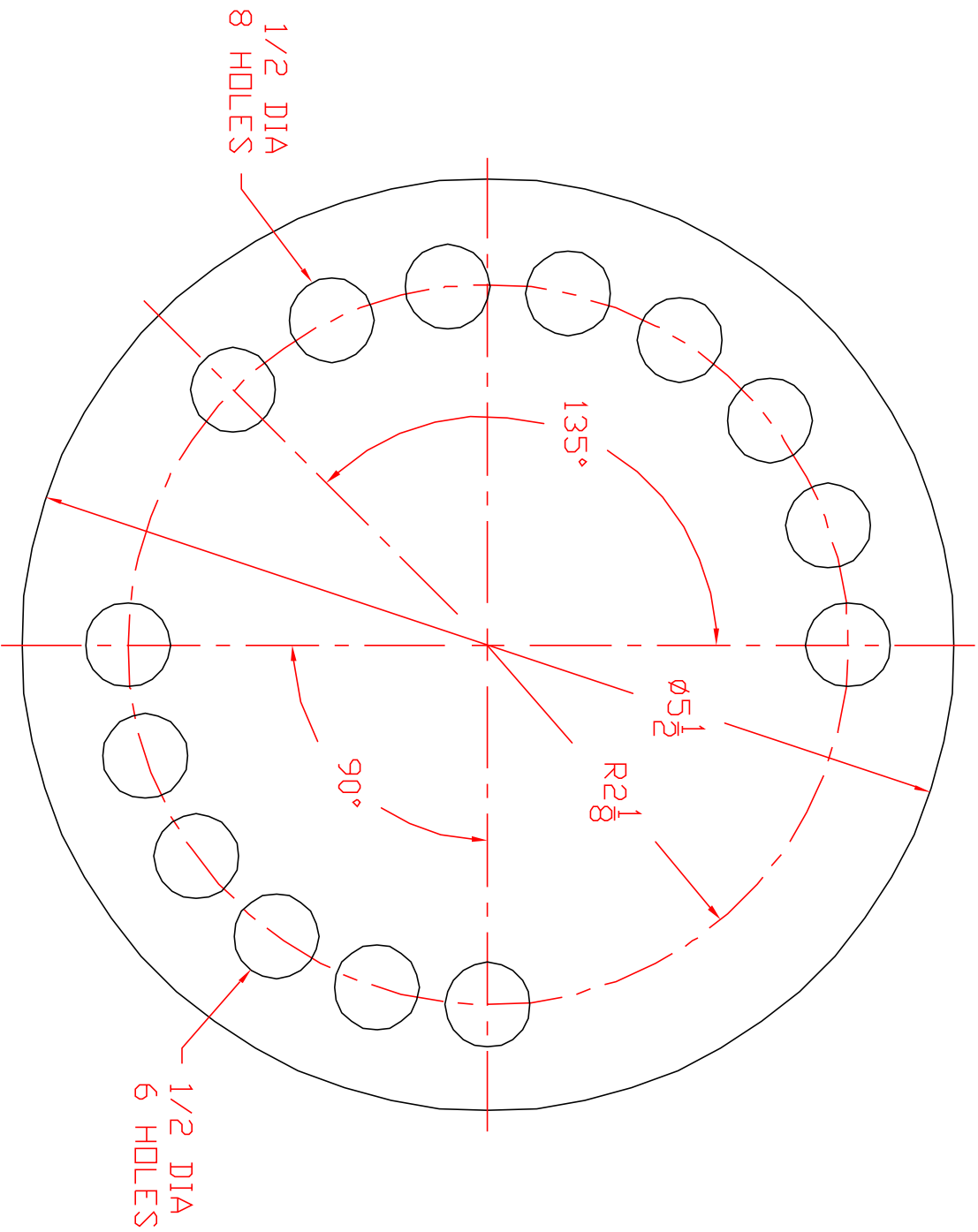
Gasket

Scale - 1"=1"

7-19-00

CHK.

DR. NO. C13



DR. BY: Sample

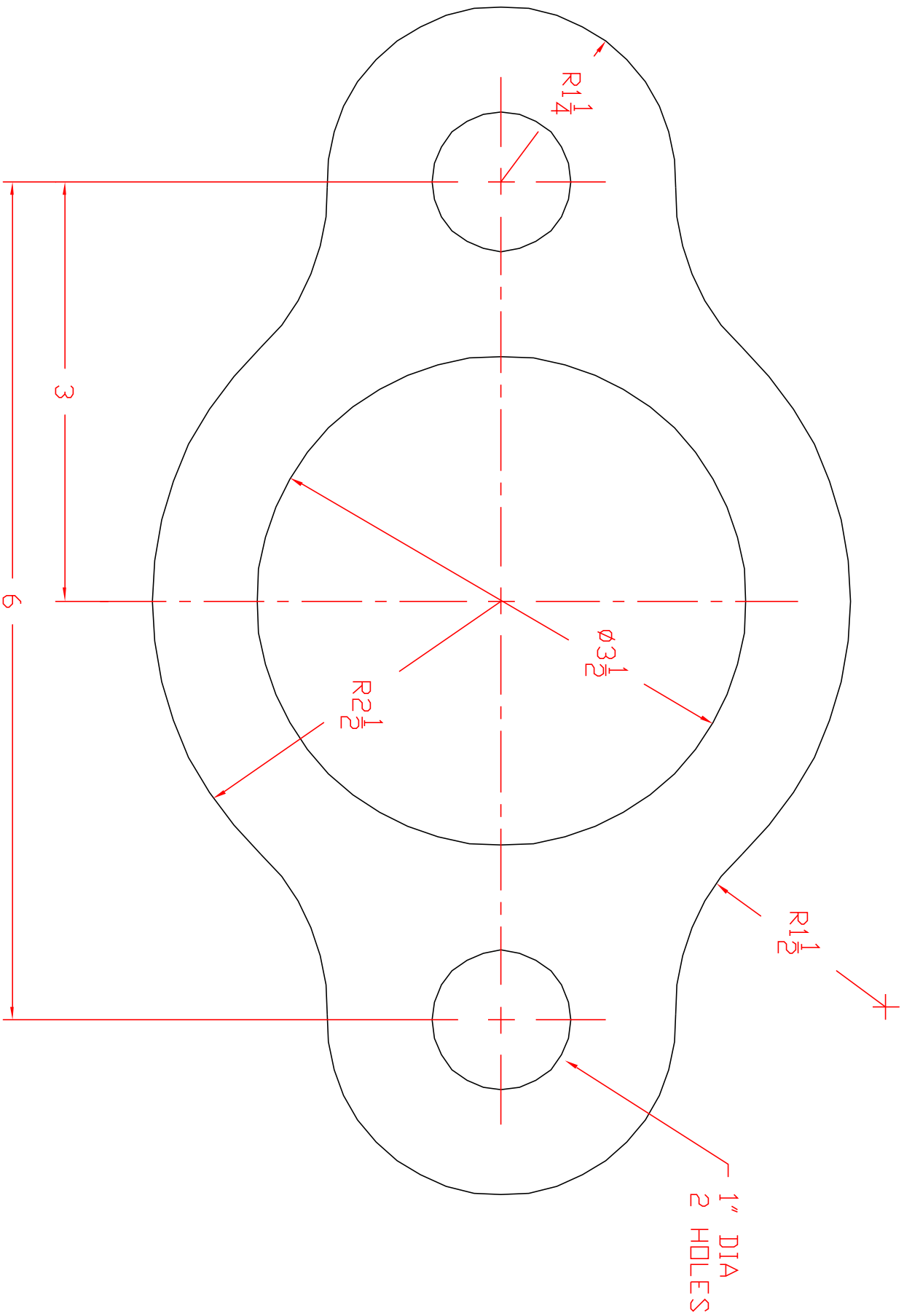
Bearing Fit Guide

Scale - 1"=1"

7-21-00

CHK.

DR. NO. C14



DR. BY: Sample

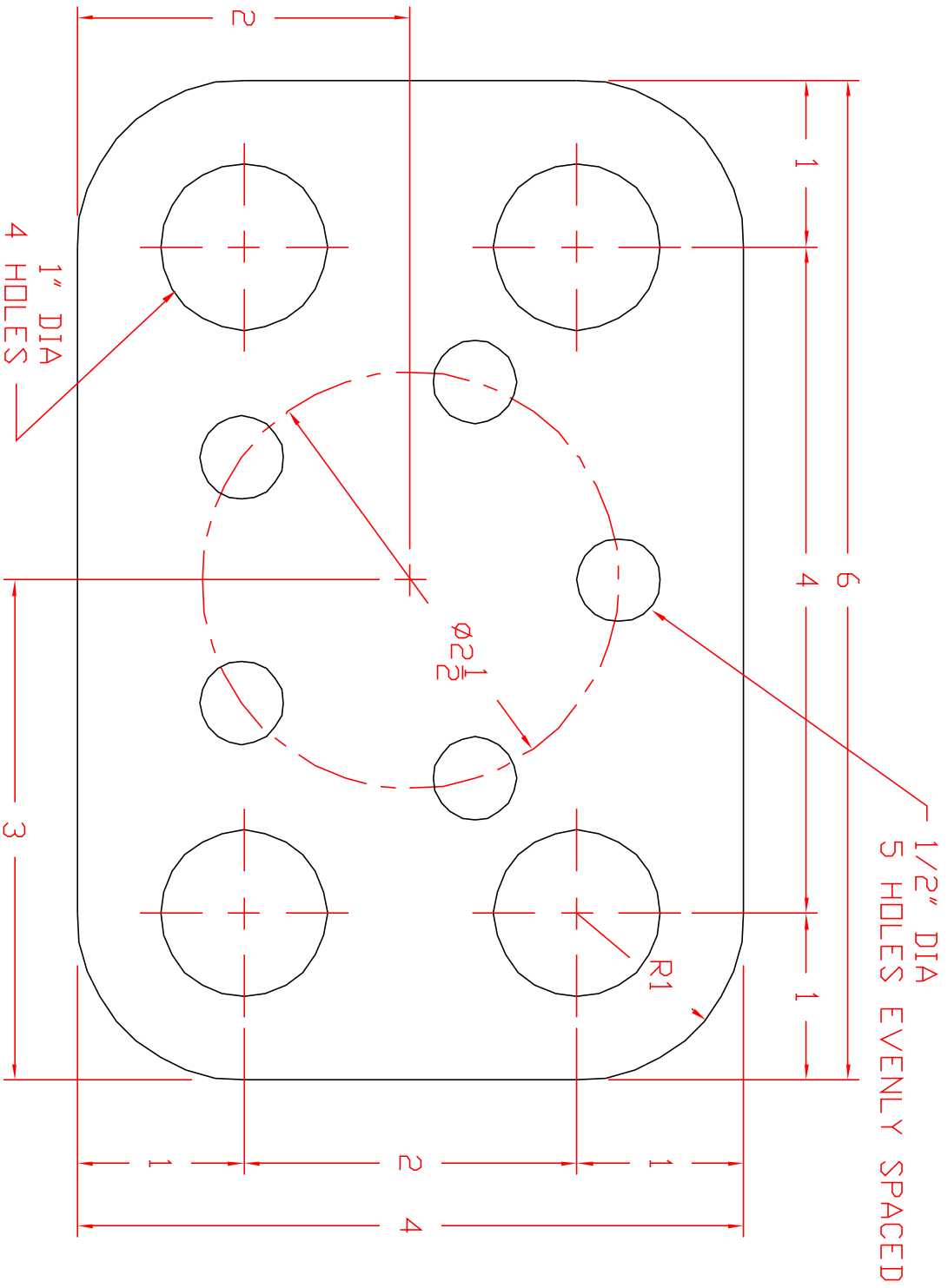
Gasket

Scale - 1"=1"

7-21-00

CHK.

DR. NO. C15



DR. BY: Sample

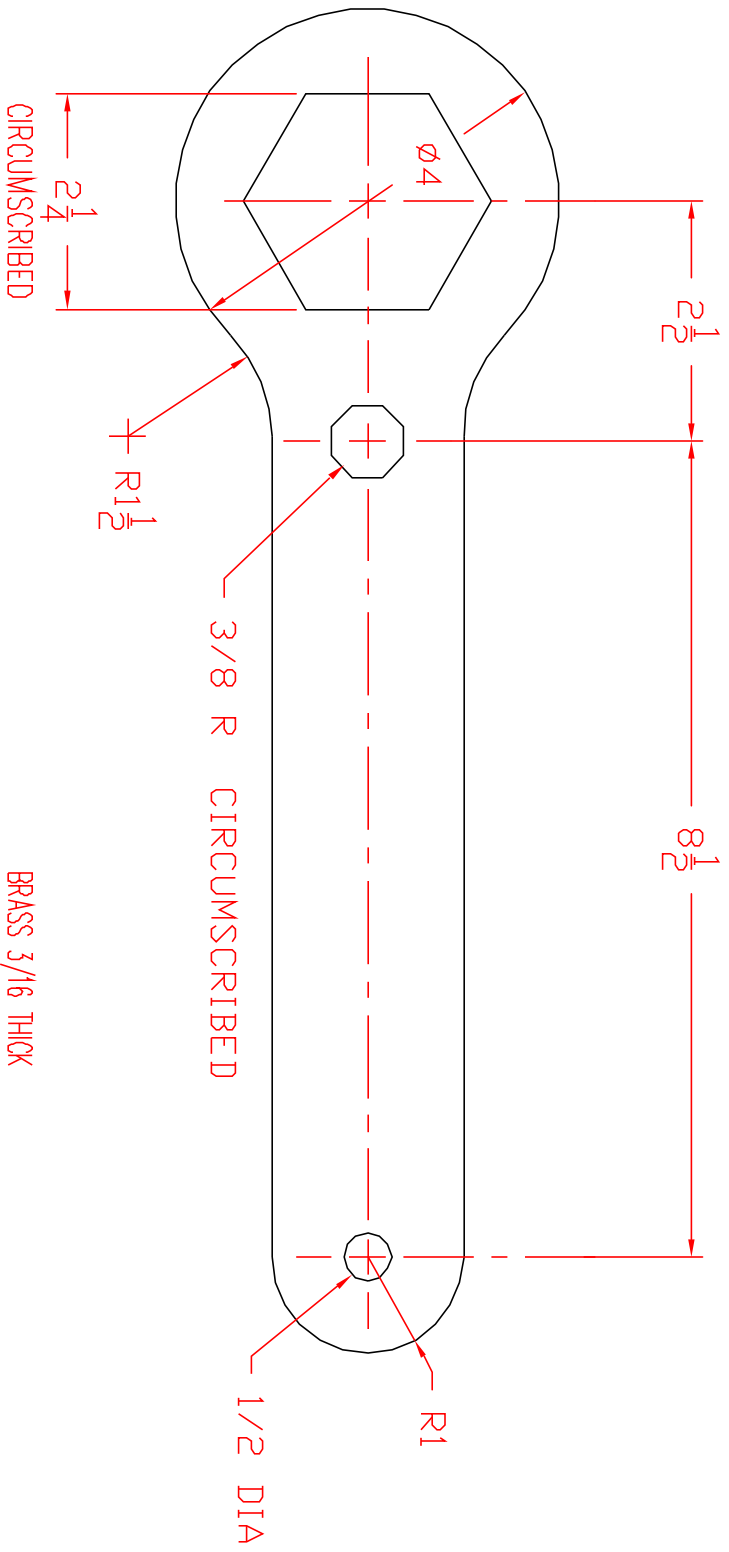
Bearing Fit Guide

Scale - 1"=1"

7-21-00

CHK.

DR. NO. C16



NOTE: SET DIMSCALE 2
SET LTSCALE .70

DR. BY: Sample

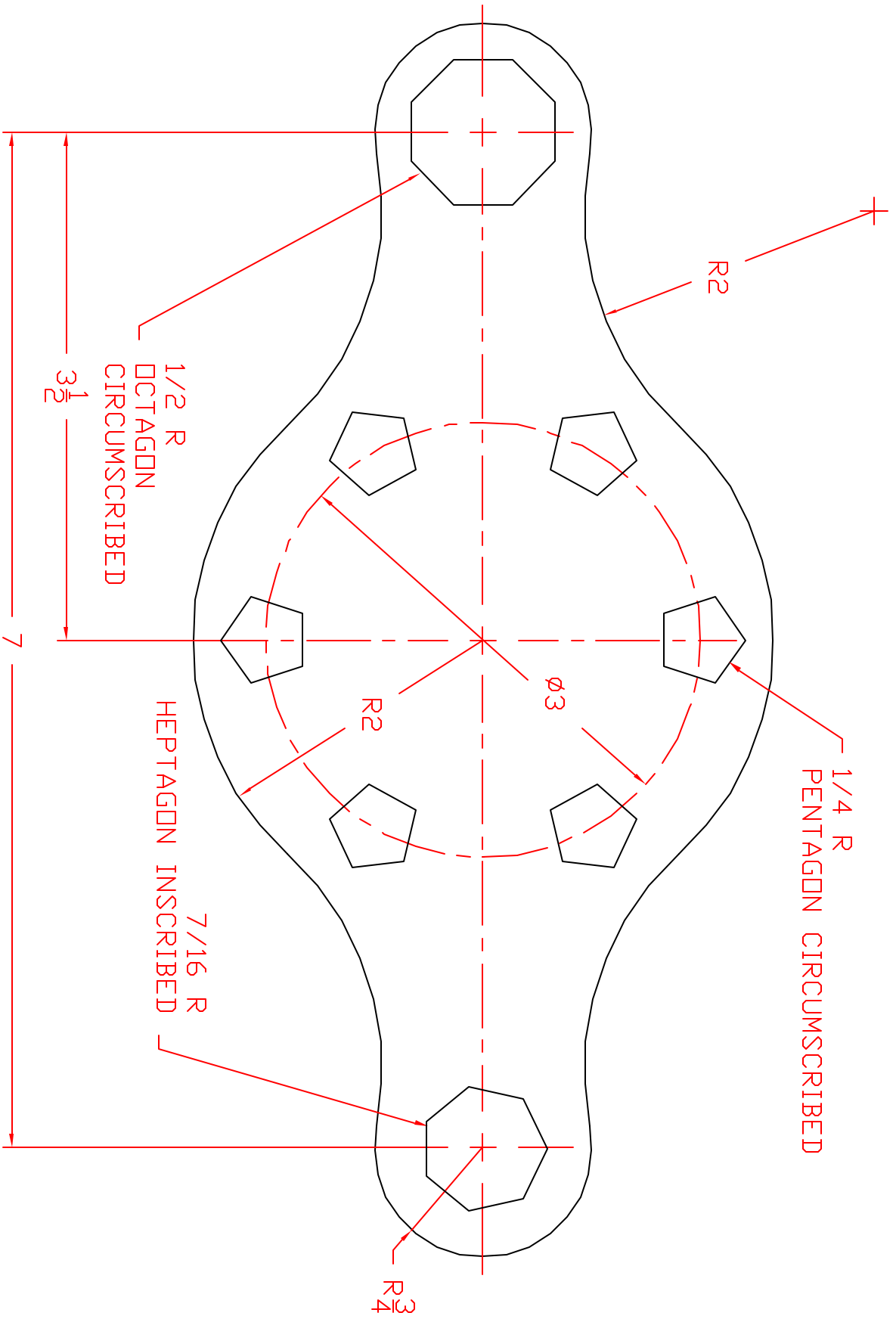
Adjustment Tool

Scale- $1/2" = 1"$

7-21-00

CHK.

DR. NO. C17



DR. BY: Sample

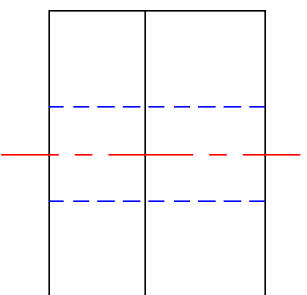
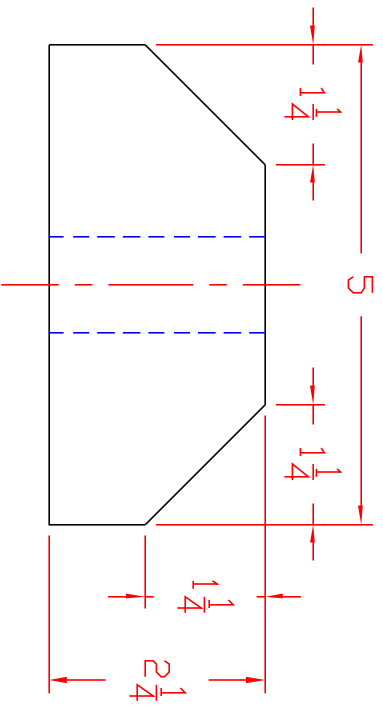
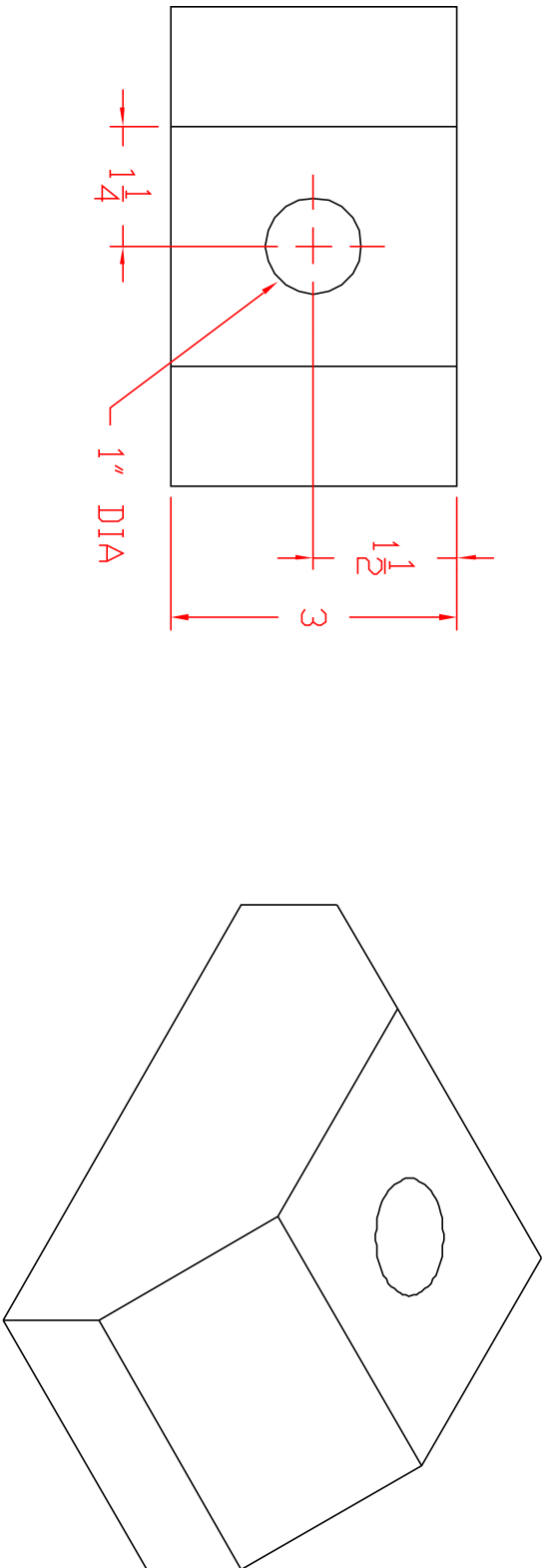
1991 Studebaker Gasket

Scale - 1"=1"

7-21-00

CHK.

DR. NO. C18



DR. BY: Sample

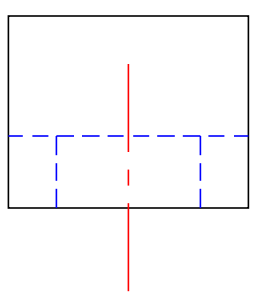
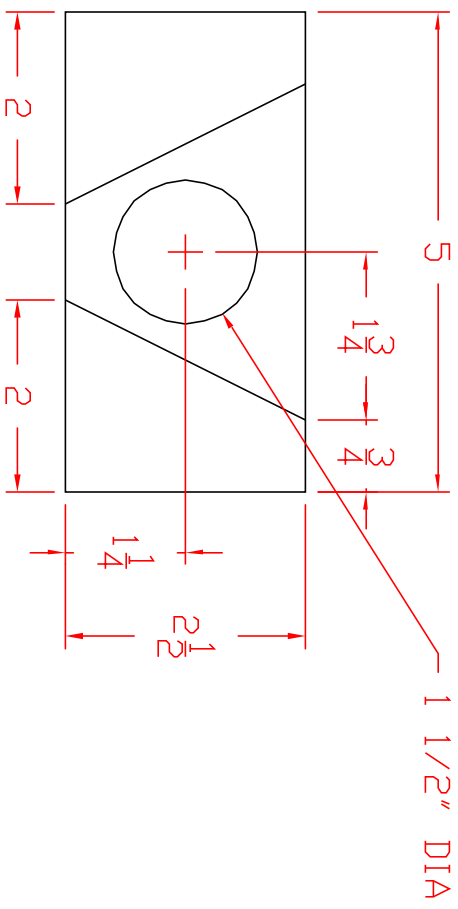
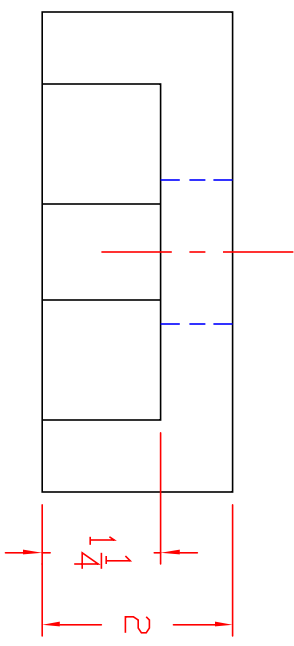
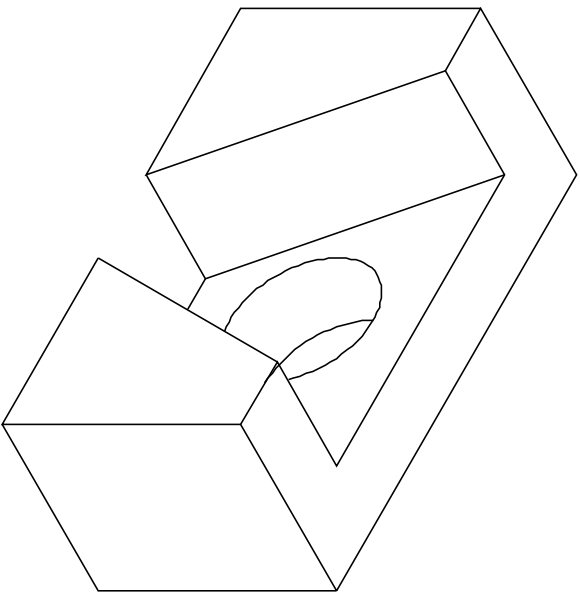
Anvil

Scale- 1/2" = 1"

7-22-00

CHK.

DR. NO. C19



DR. BY: Sample

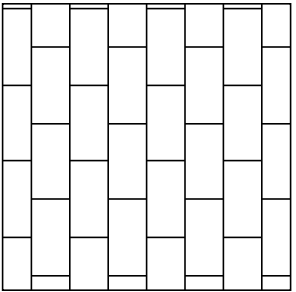
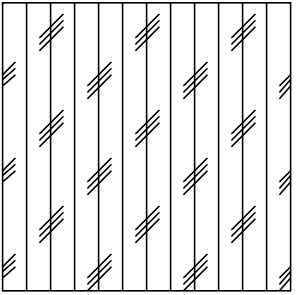
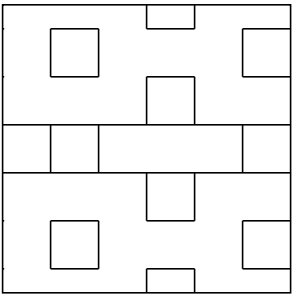
Guide

Scale- 1/2"=1"

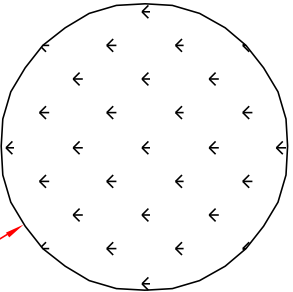
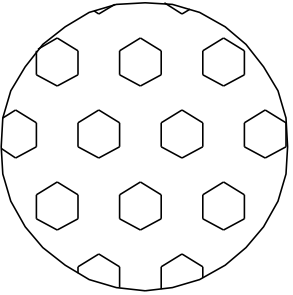
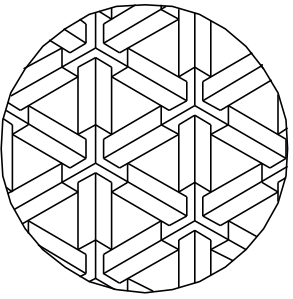
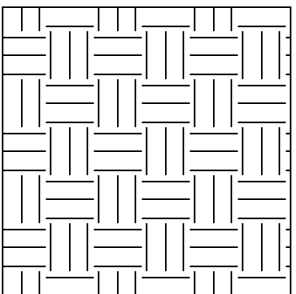
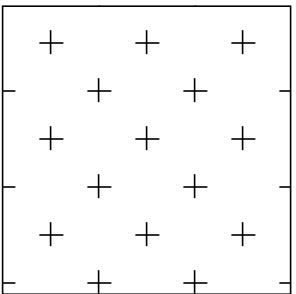
7-22-00

CHK.

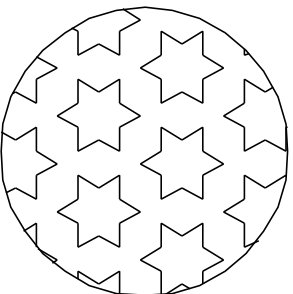
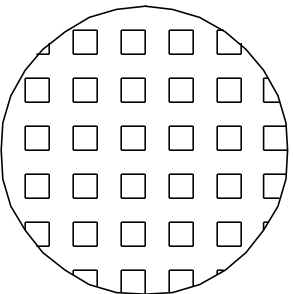
DR. NO. C20



1 1/2
Square



1 1/2 DIA



DR. BY: Sample

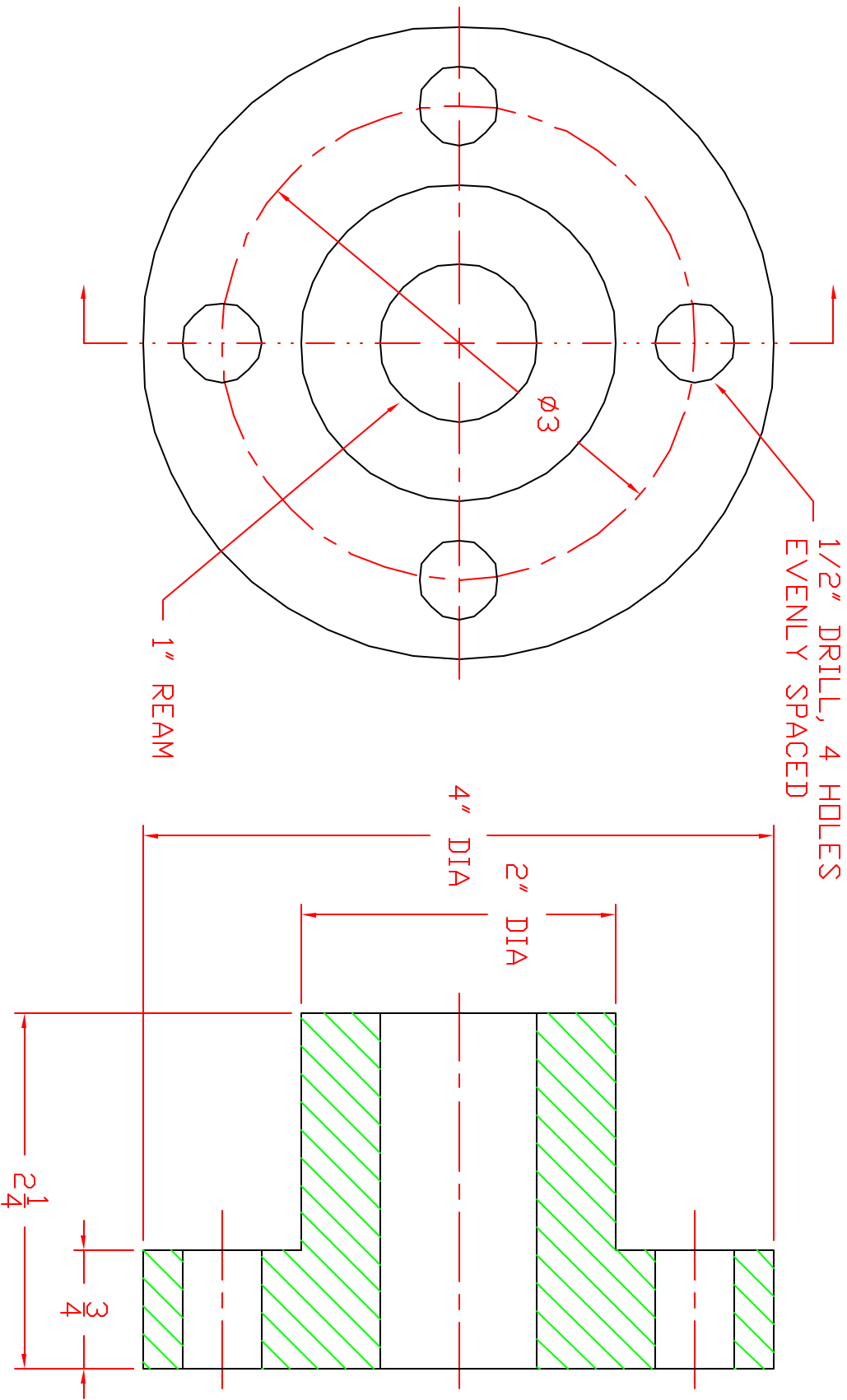
Hatching Practice

Scale - 1"=1"

7-23-00

CHK.

DR. NO. C21



DR. BY: Sample

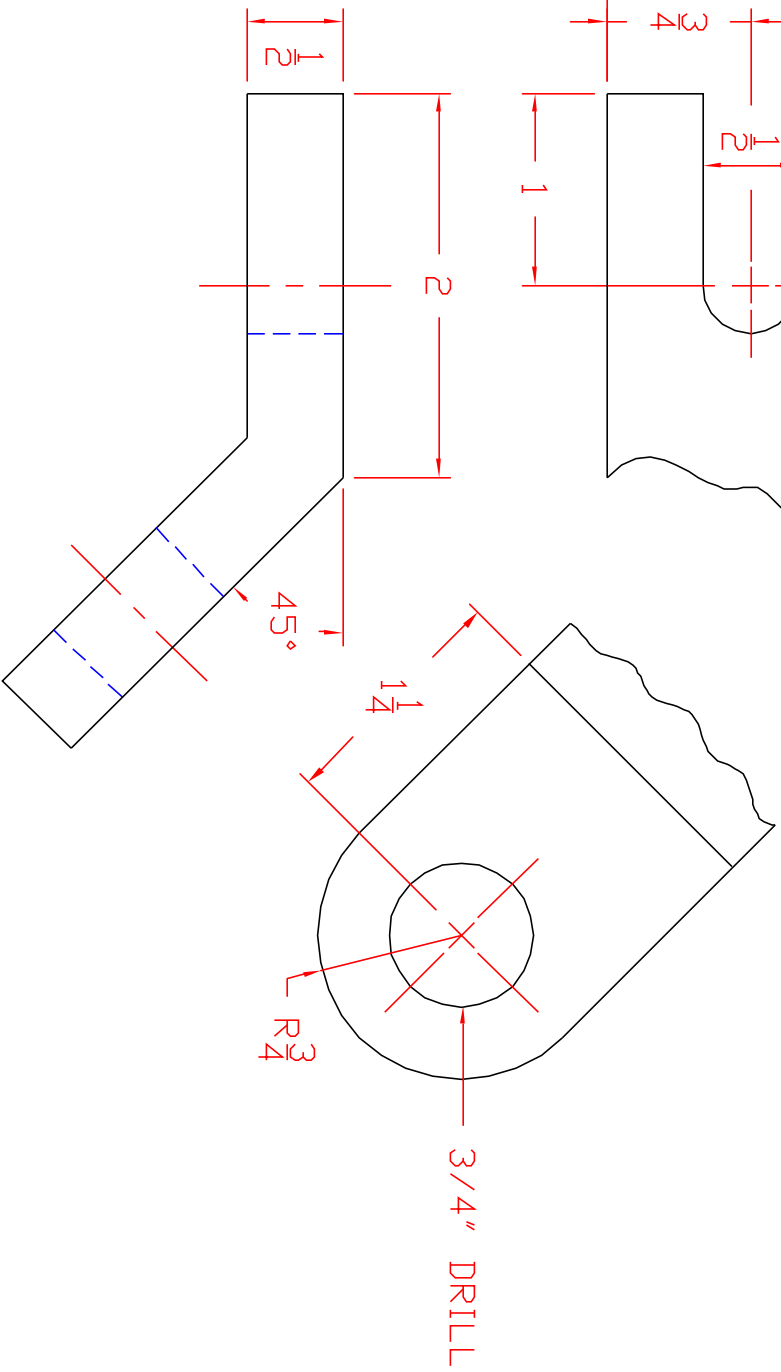
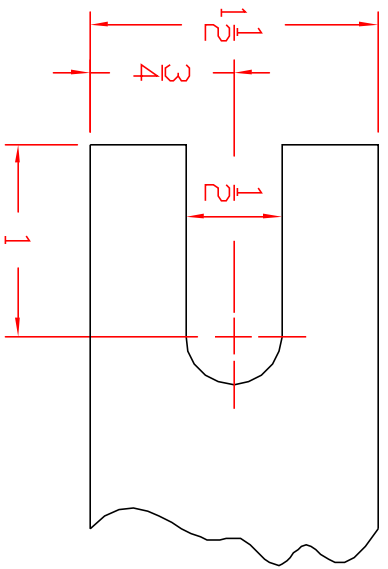
Widget

Scale - 1"=1"

7-23-00

CHK.

DR. NO. C22



DR. BY: Sample

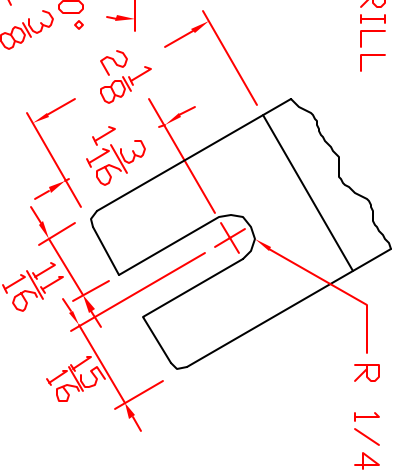
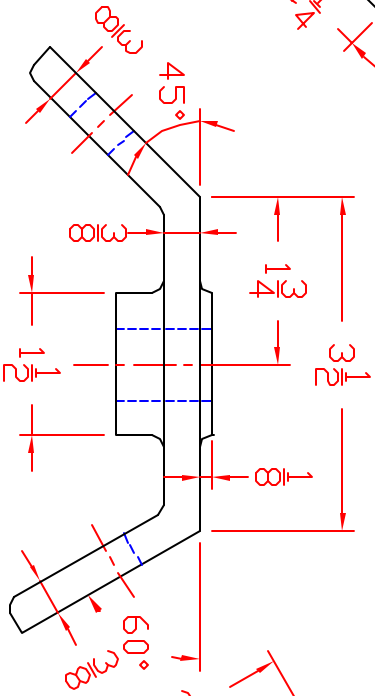
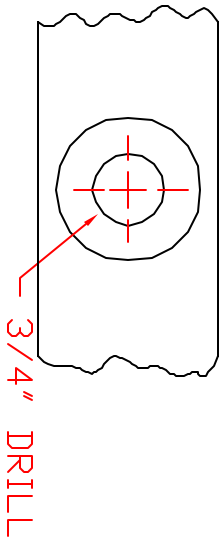
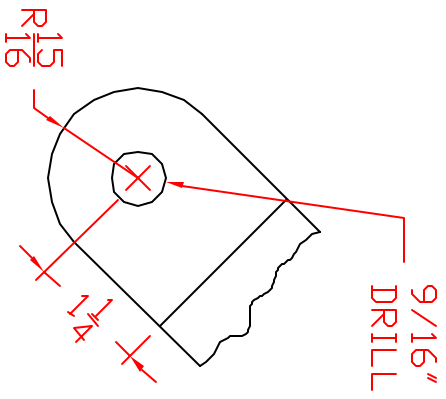
ARM BRACKET

Scale - 1"=1"

2-15-02

CHK.

DR. NO. C23



ALL FILETS 1/8 R

DR. BY: Sample

HOLDER PIVOT

Scale- 1/2" = 1"

2-16-02

CHK.

DR. NO. C24