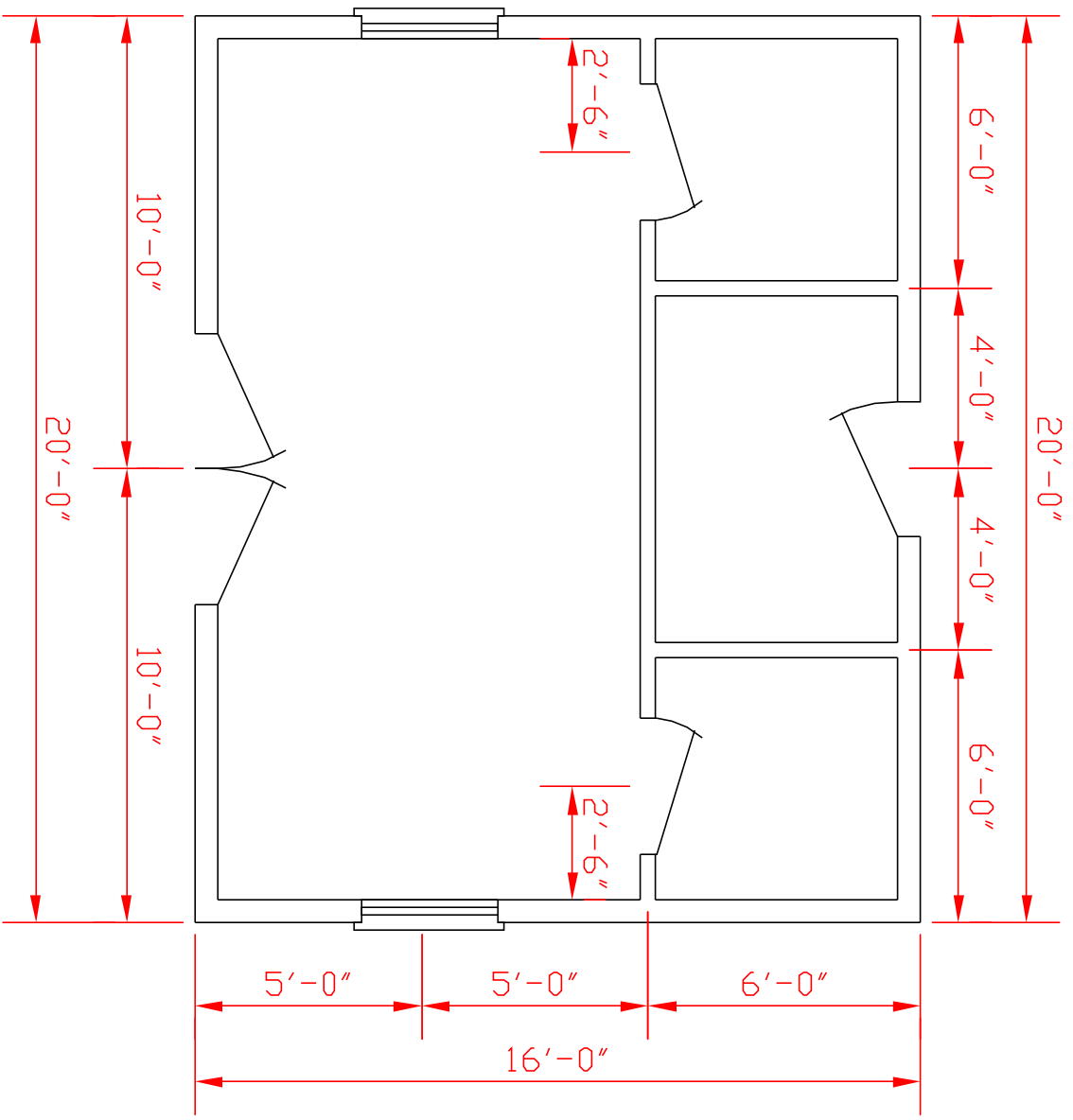


ALL DOORS 3-0 X 6-8
ALL WINDOWS 3-0 X 4-2



DR. BY: Sample

STORAGE SHED

1/4"=1'-0"

5-26-02

CHK.

DR. NO. A1

DR. BY: John Doe

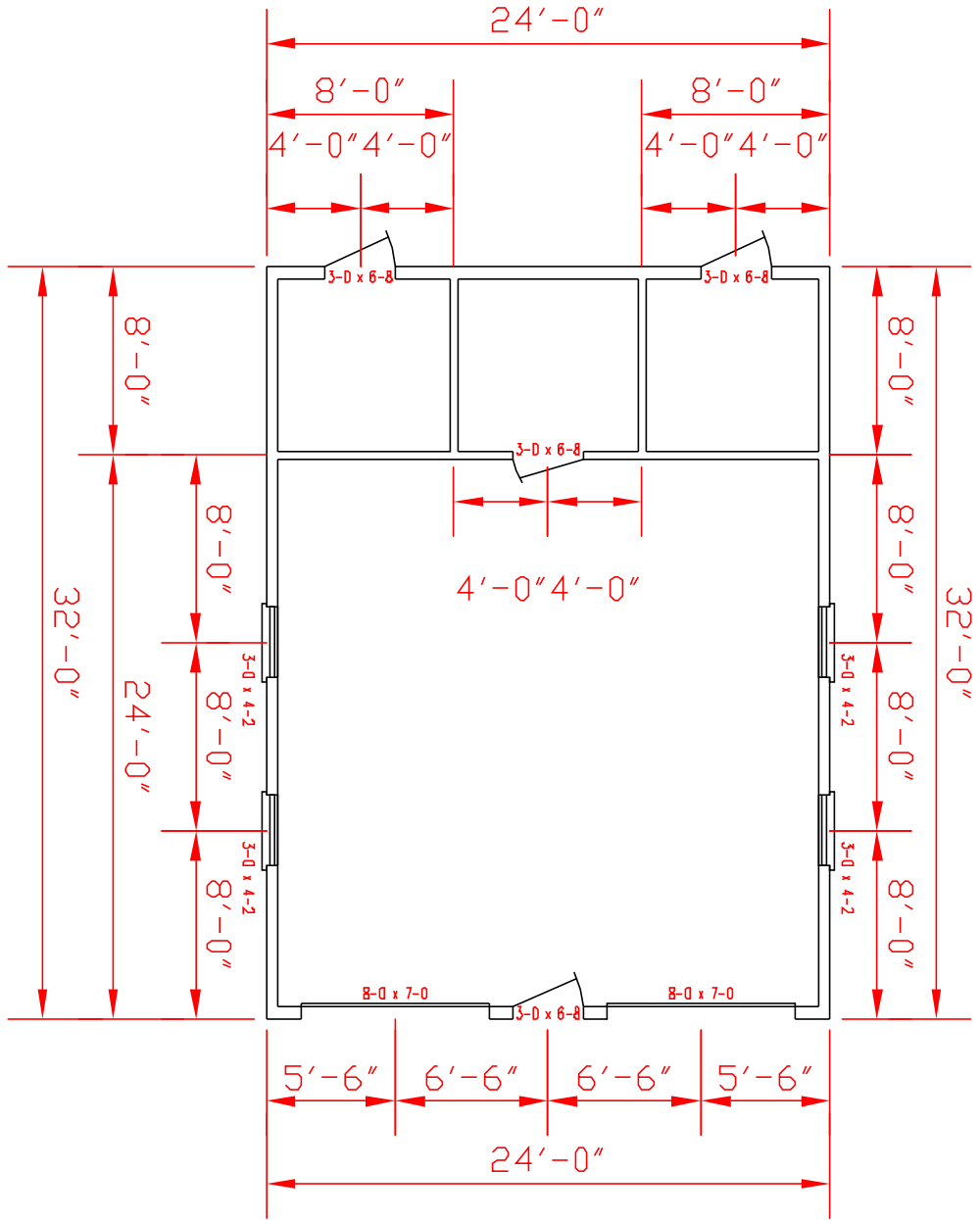
2 CAR GARAGE

1/8"=1'-0"

5-25-02

CHK.

DR. NO. A2



DR. BY: Sample

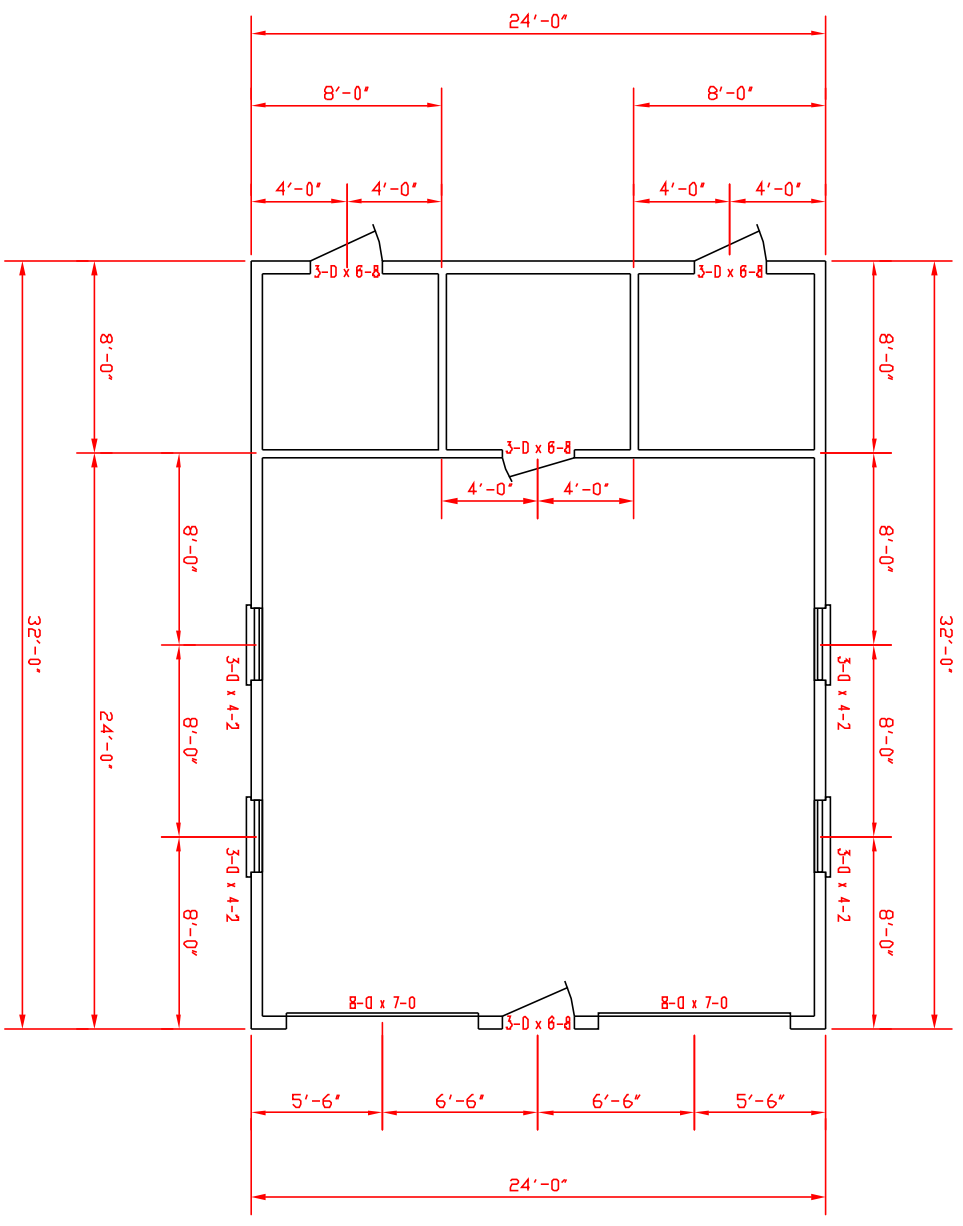
2 CAR GARAGE

1/8" = 1'-0"

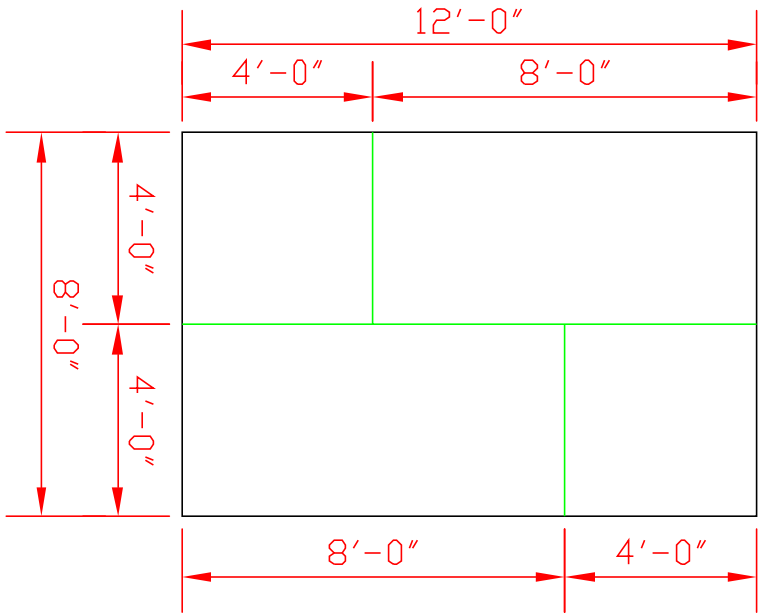
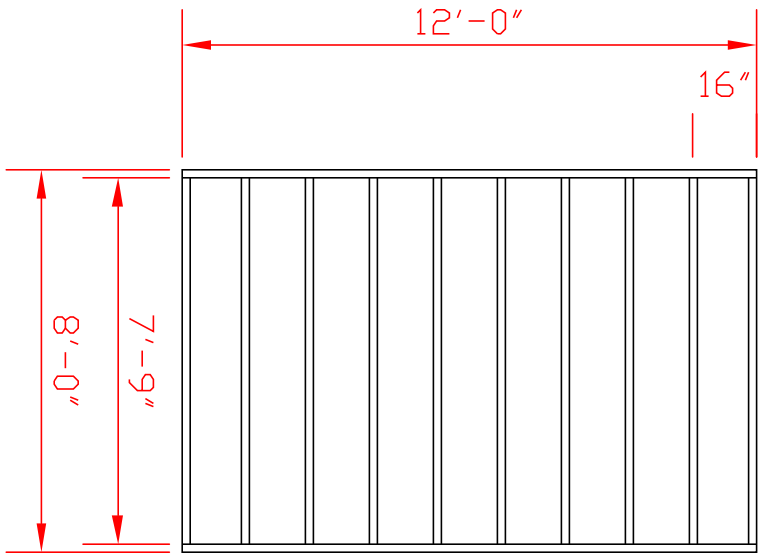
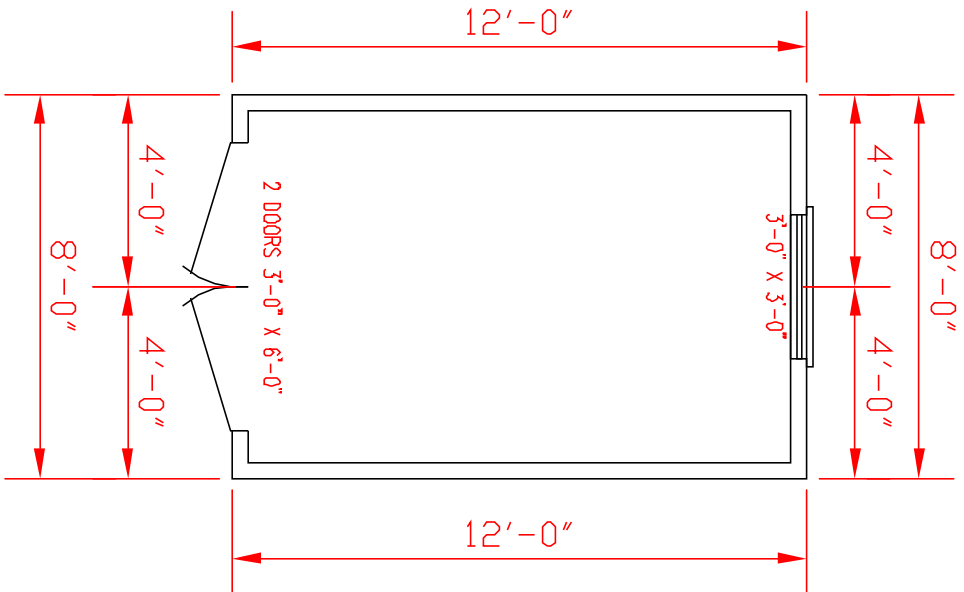
5-25-02

CHK.

DR. NO. A2



Special Note: *Test Scale Factor of 48*



DR. BY: Sample

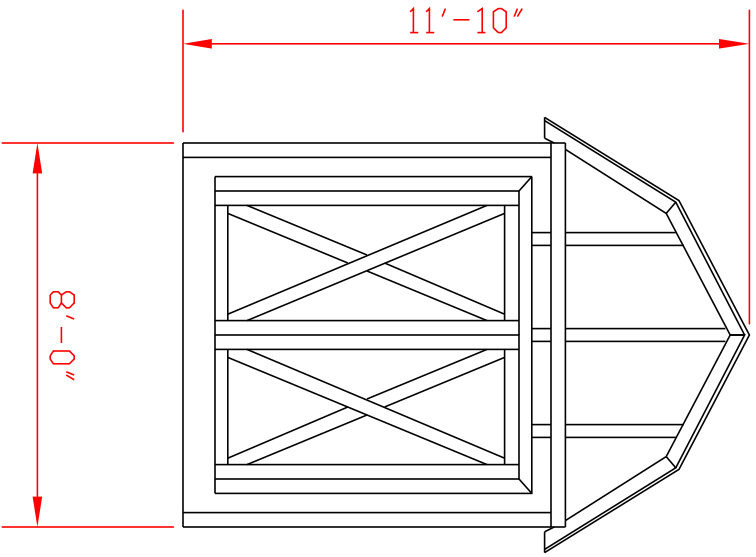
Floor Plan and Joist Layout for Barn

1/4" = 1'-0"

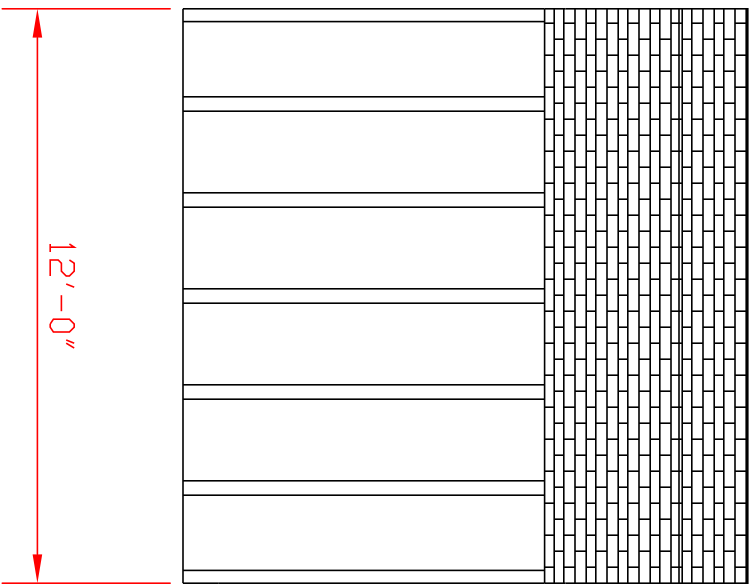
5-25-02

CHK.

DR. NO. A3



FRONT ELEVATION



RIGHT ELEVATION

DR. BY: Sample

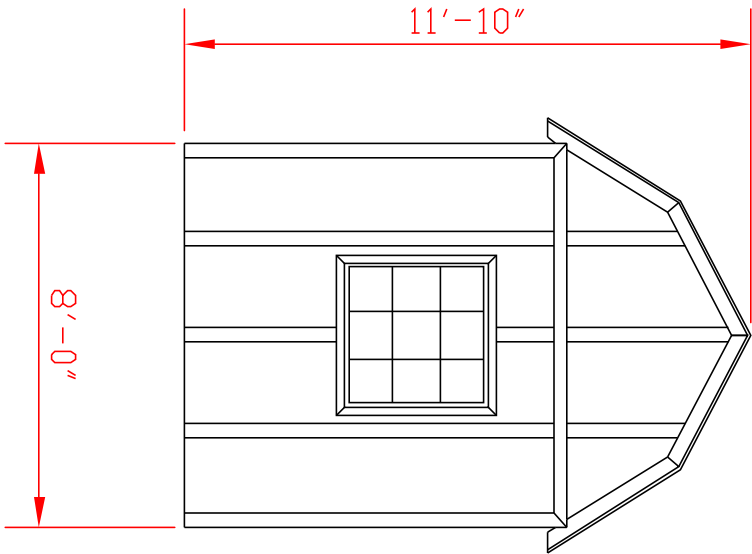
Front and Right Elevation

1/4"=1'-0"

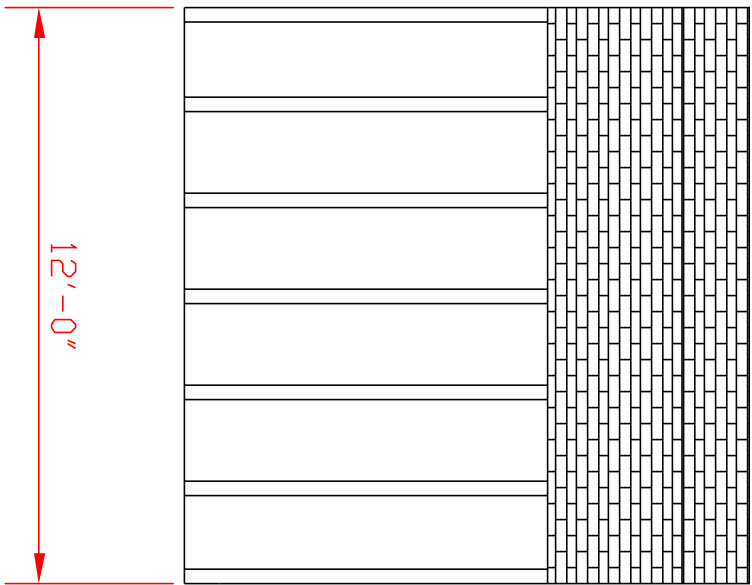
6-1-02

CHK.

DR. NO. A4



REAR ELEVATION



LEFT ELEVATION

DR. BY: Sample

Rear and Left Elevation

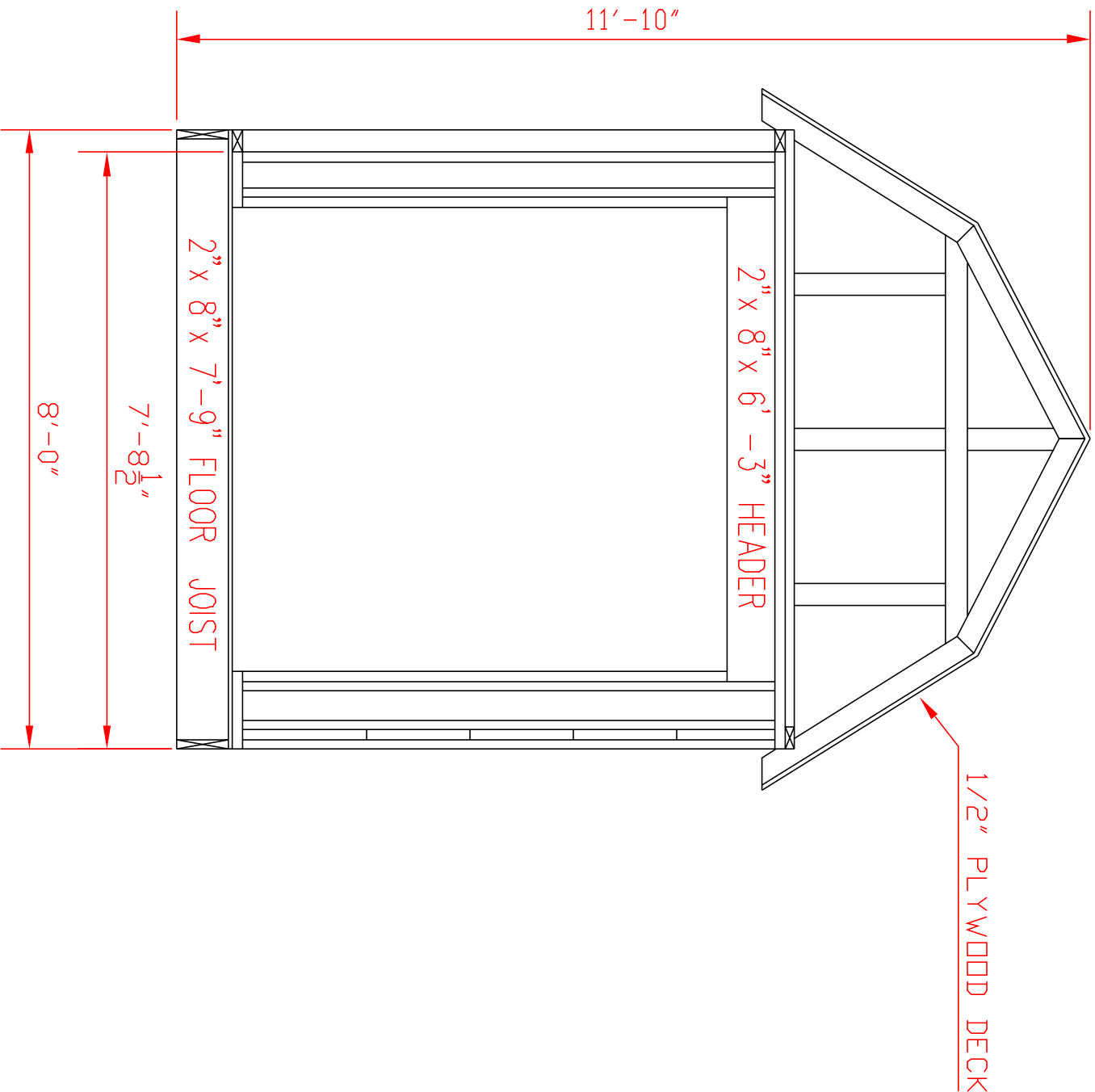
1/4"=1'-0"

6-1-02

CHK.

DR. NO. A5

ALL STUDS, PLATES,
& RAFTERS
2" X 4" CONSTRUCTION



DR. BY: Sample

Barn's Front Wall Section

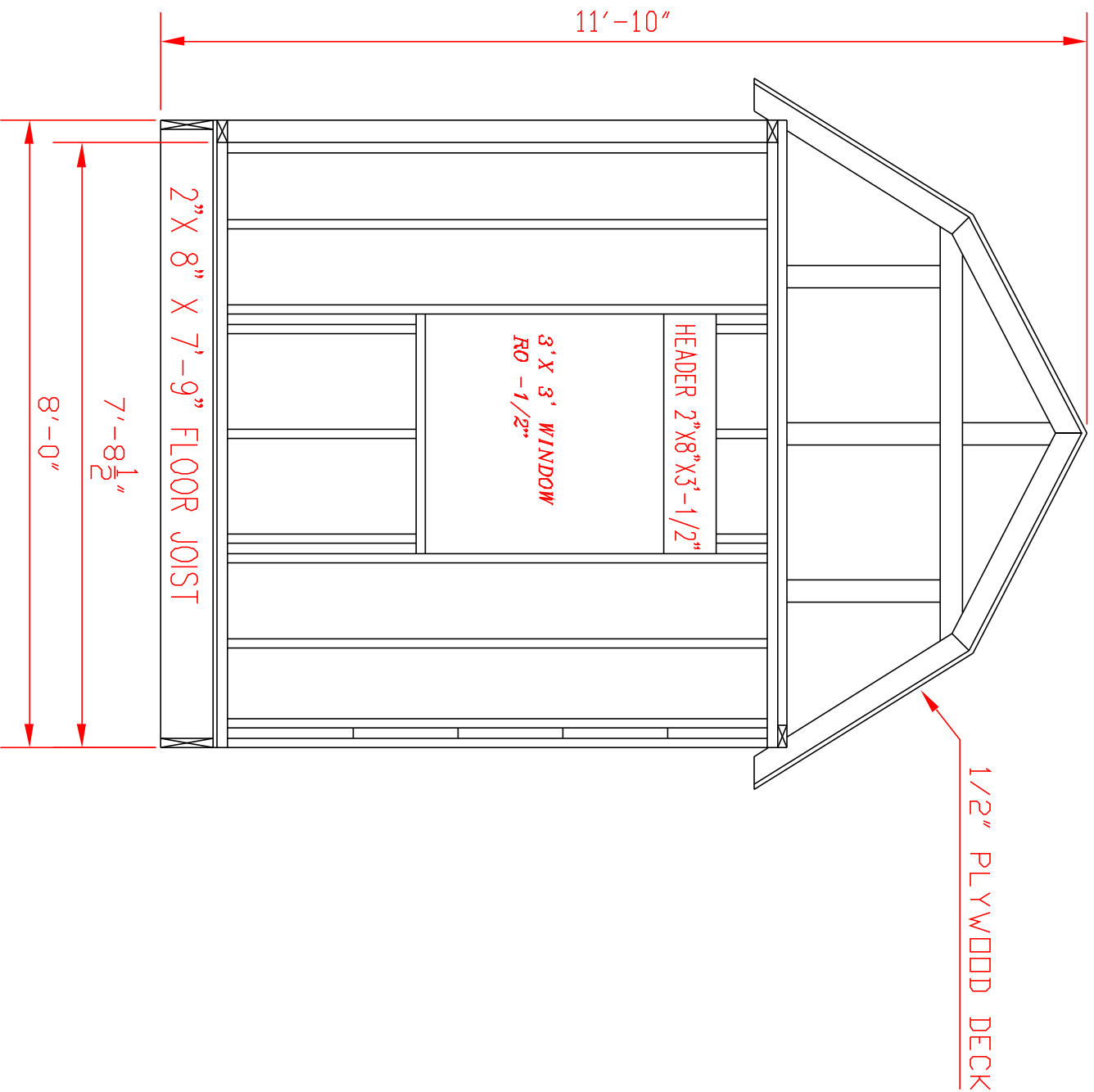
1/2" = 1' - 0"

5-25-02

CHK.

DR. NO. A6

ALL STUDS, PLATES,
& RAFTERS
2" X 4" CONSTRUCTION



DR. BY: John Doe

Barn's Rear Wall Section

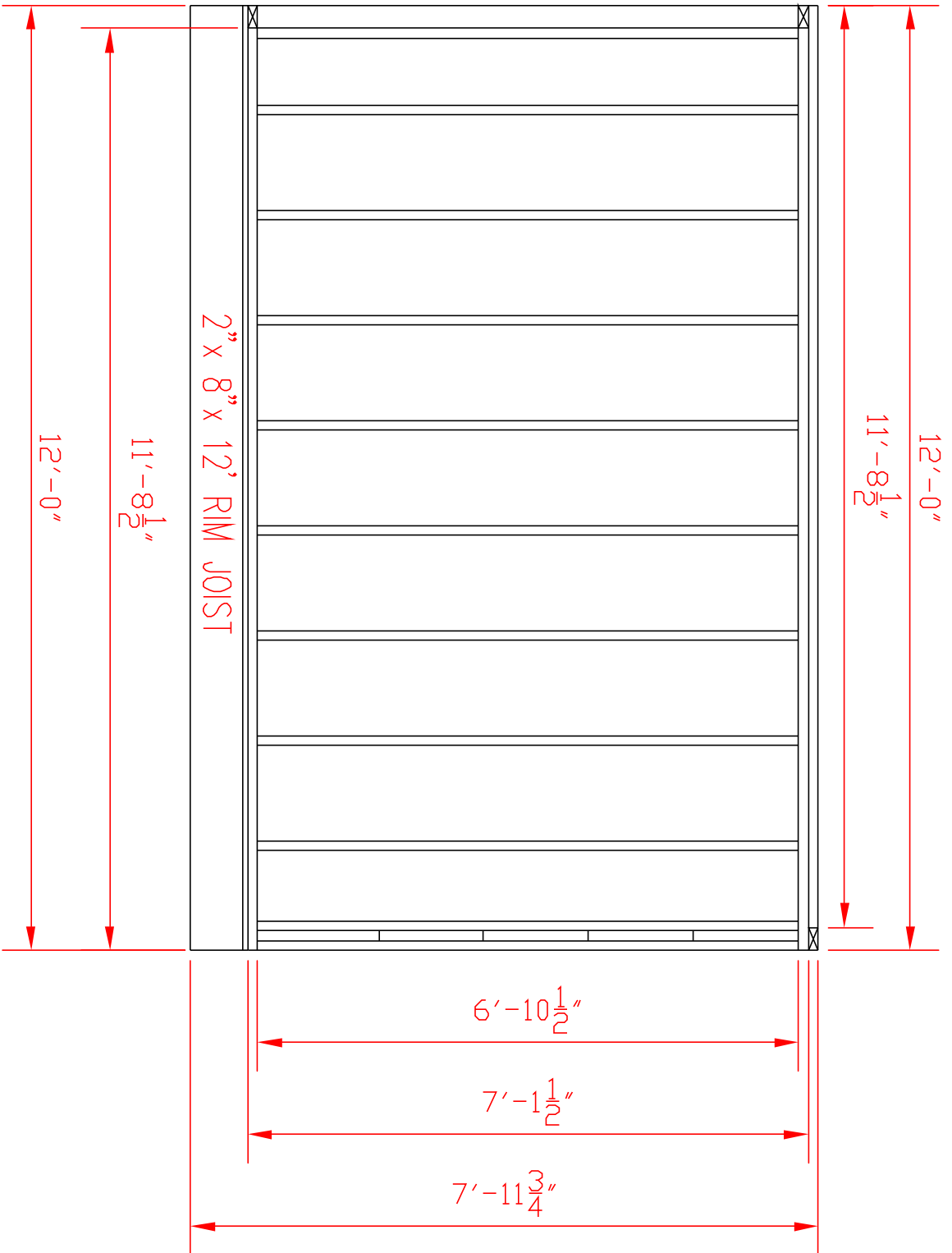
1/2"=1'-0"

5-25-02

CHK.

DR. NO. A7

FRONT OF THE BARN



ALL STUDS AND PLATES - 2" X 4" CONSTRUCTION

DR. BY: Sample

Barn's Right and Left Wall Section

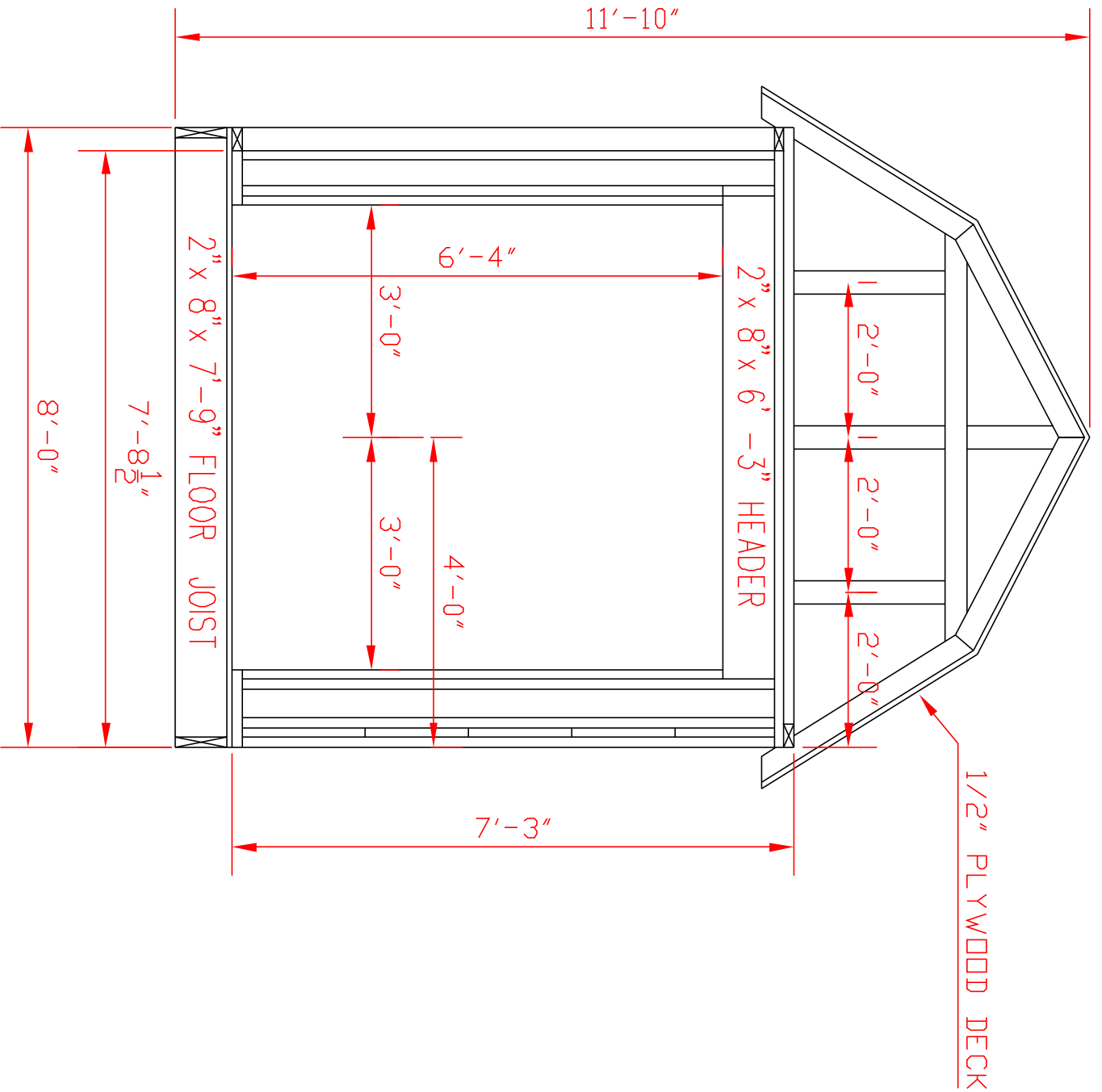
1/2" = 1'-0"

5-25-02

CHK.

DR. NO. A8

ALL STUDS, PLATES,
& RAFTERS
2" X 4" CONSTRUCTION



DR. BY: Sample

Reference - Born's Front Wall Section

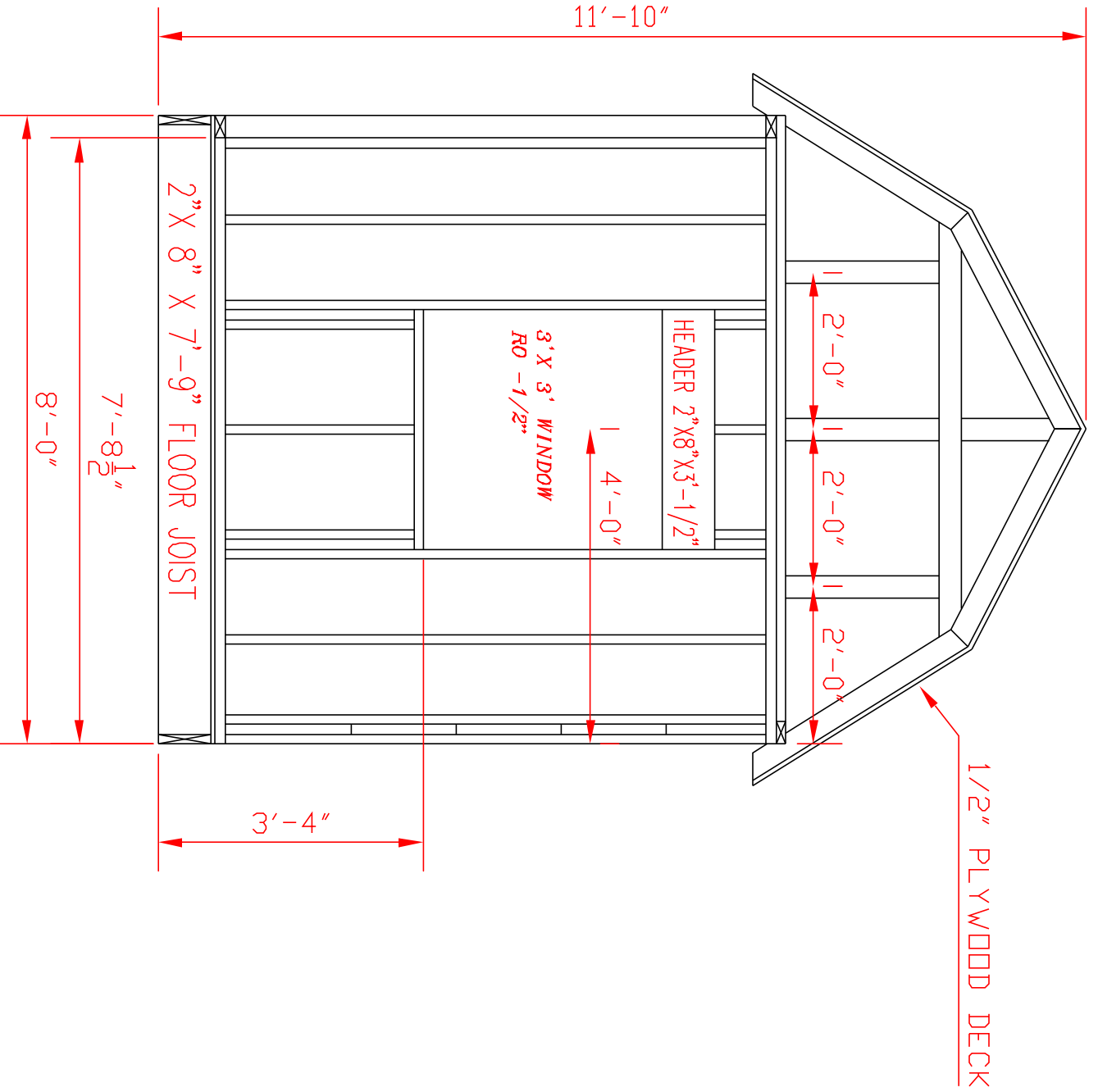
1/2" = 1'-0"

5-25-02

CHK.

DR. NO. A6

ALL STUDS, PLATES,
& RAFTERS
2" X 4" CONSTRUCTION



DR. BY: John Doe

Barn's Rear Wall Section (reference)

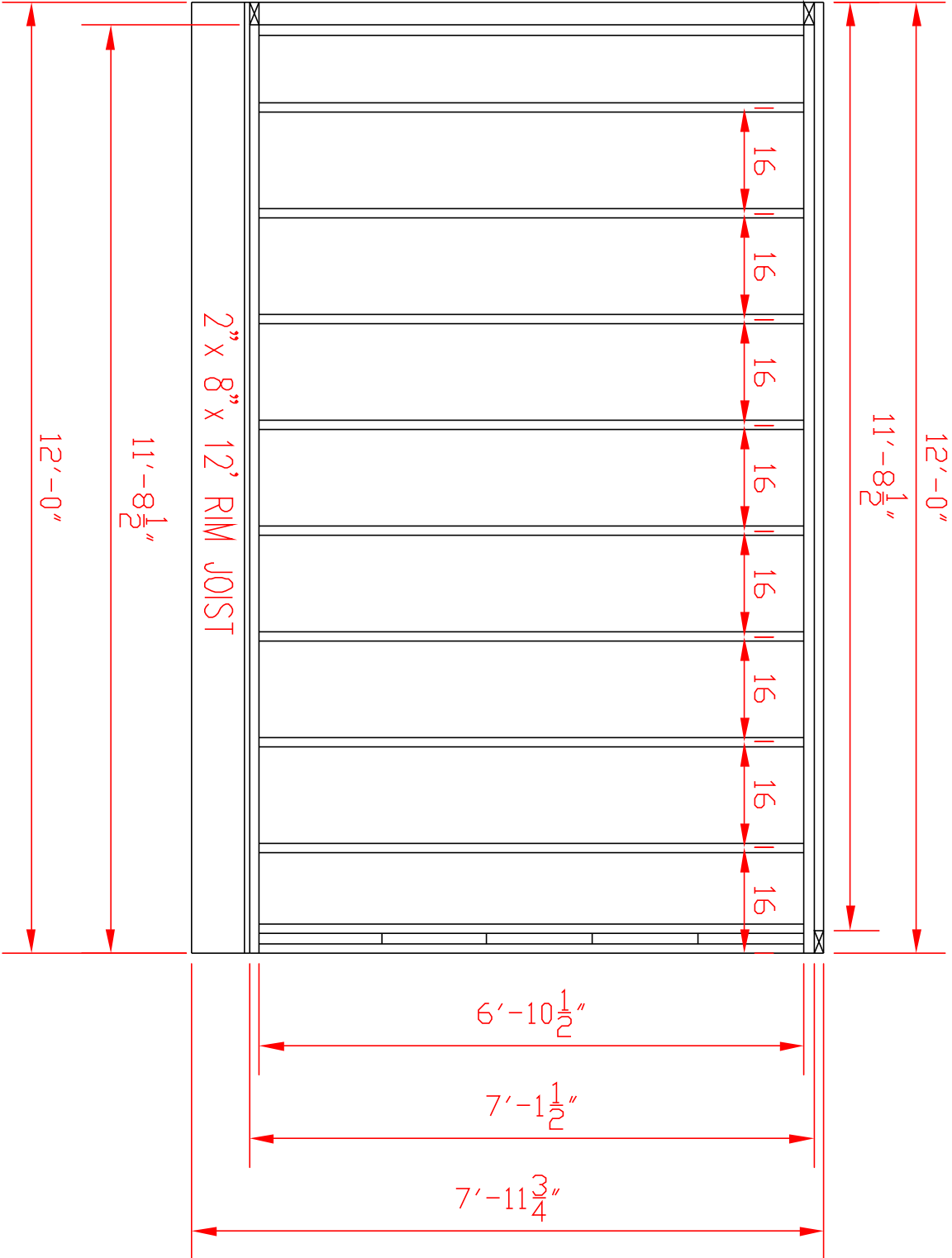
1/2" = 1'-0"

5-25-02

CHK.

DR. NO. A7

FRONT OF THE BARN



ALL STUDS AND PLATES - 2" X 4" CONSTRUCTION

DR. BY: Sample

Right and Left Wall Section (reference)

1/2" = 1'-0"

5-25-02

CHK.

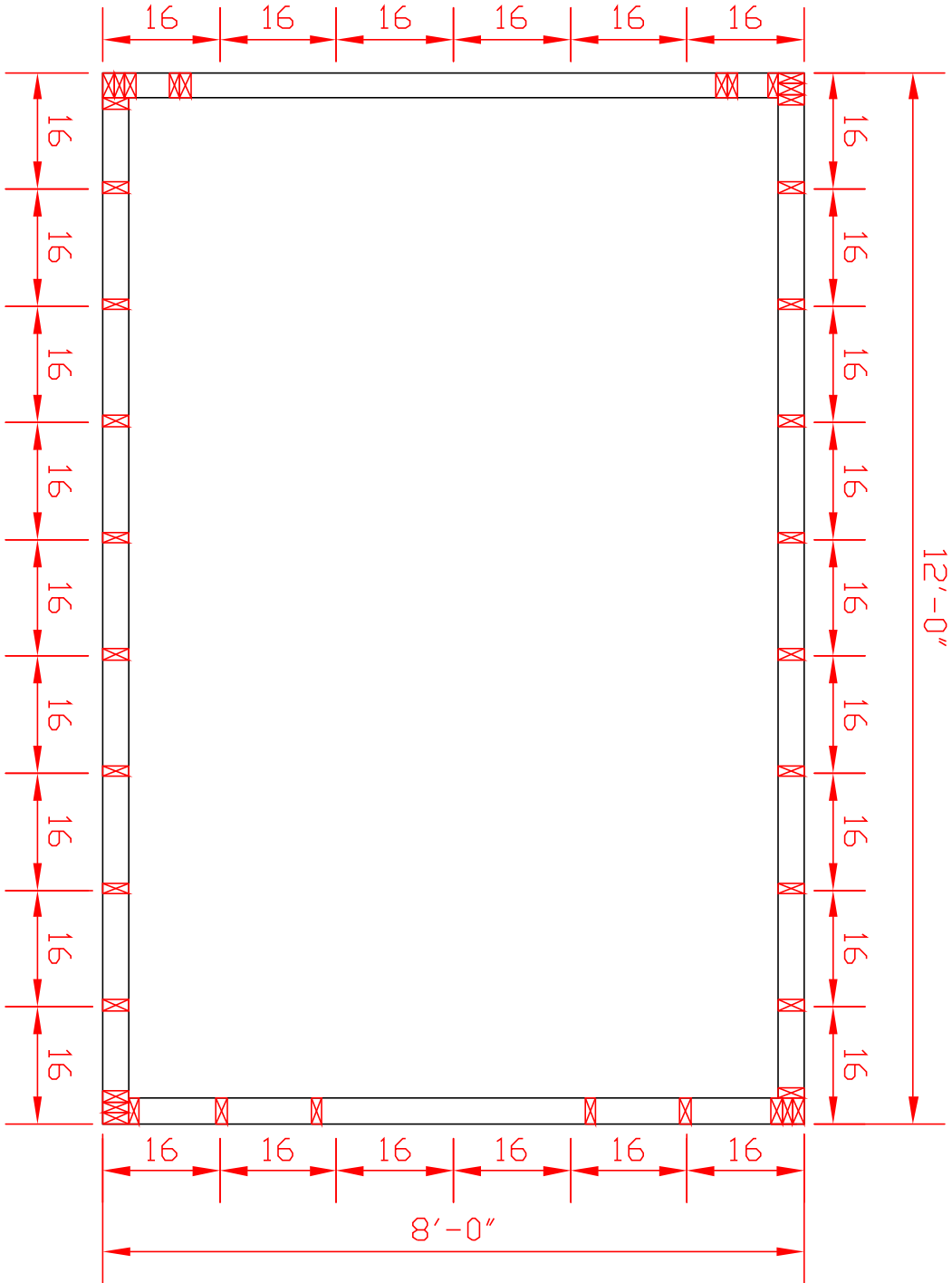
DR. NO. A8

FRONT SIDE

RIGHT SIDE

LEFT SIDE

BACK SIDE



DR. BY: Sample

Wall Studs Layout

Scale - 1/2" = 1'

6-6-02

CHK.

DR. NO. 3